

"Modern" GLAZED FIBERGLASS DOOR

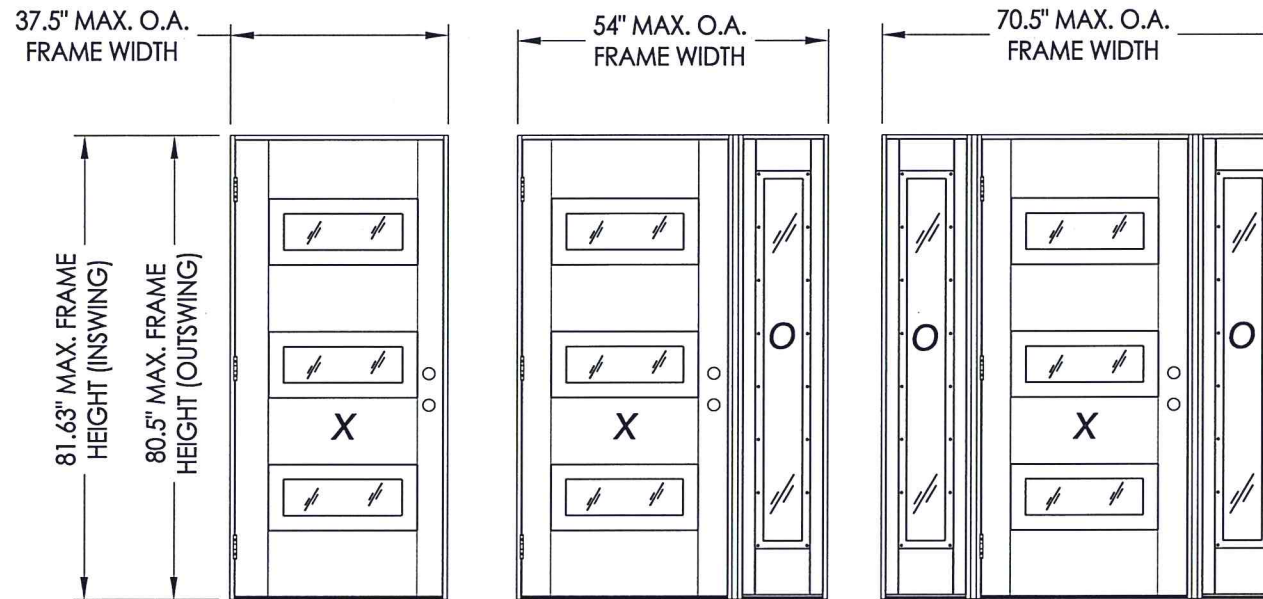
w/ or w/out SIDELITE(S)
"NON-IMPACT"
IN SWING / OUT SWING

GENERAL NOTES

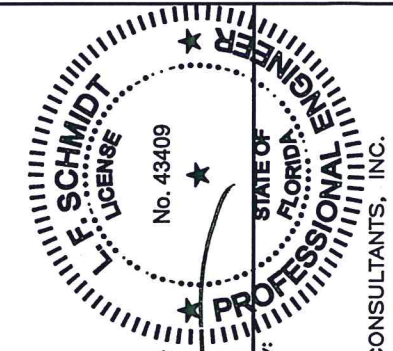
1. This product has been evaluated and is in compliance with the 7th Edition (2020) Florida Building Code (FBC) structural requirements excluding the "High Velocity Hurricane Zone" (HVHZ).
2. Product anchors shall be as listed and spaced as shown on details. Anchor embedment to base material shall be beyond wall dressing or stucco.
3. When used in areas requiring wind borne debris protection, this product is required to be protected with an impact resistant covering that complies with FBC Sections 1609.1.2 & R301.2.1.2.
4. For 2x stud framing construction, anchoring of these units shall be the same as that shown for 2x buck masonry construction.
5. Site conditions that deviate from the details of this drawing require further engineering analysis by a licensed engineer or registered architect.

TABLE OF CONTENTS

SHEET#	DESCRIPTION
1	Typical elevations, design pressures & general notes
2	Door panel details
3	Sidelite panel details
4	Elevations
5	Horizontal and vertical cross sections (2x buck)
6	Horizontal and vertical cross sections (1x buck)
7	Horizontal and vertical cross sections (Direct to Masonry)
8	Horizontal cross sections
9	Vertical cross sections
10	Buck anchoring and frame anchoring (X)
11	Buck anchoring (OX/XO & OXO)
12	Frame anchoring (OX/XO & OXO)
13	Components
14	Bill of materials



CONFIGURATION	MAX. FRAME DIMENSION	DESIGN PRESSURE (PSF) INSWING		DESIGN PRESSURE (PSF) OUTSWING	
		POSITIVE	NEGATIVE	POSITIVE	NEGATIVE
X	37.5" x 81.63"	+55.0	-60.0	+55.0	-55.0
OX/XO	54.0" x 81.63"	+55.0	-60.0	+55.0	-55.0
OXO	70.5" x 81.63"	+55.0	-60.0	+55.0	-55.0

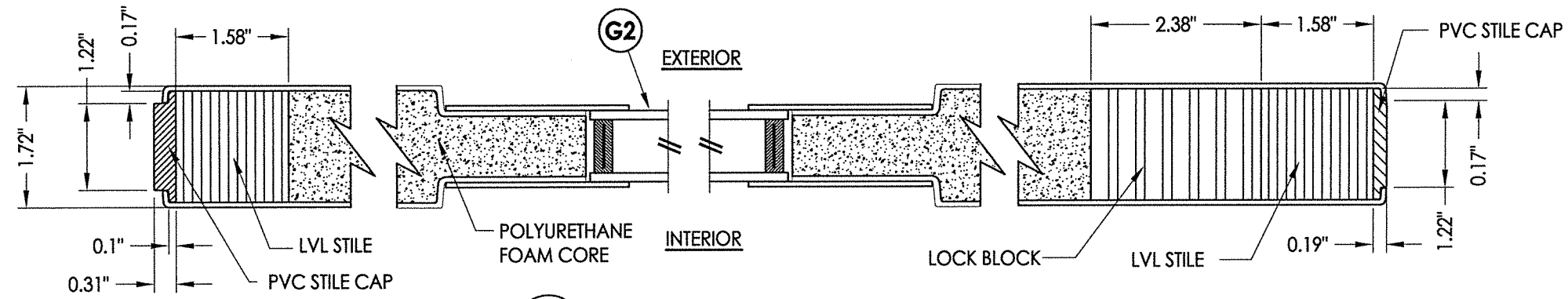


April 26, 2021
 Documents Prepared By:
 Lyndon F. Schmidt
 P.E. No. 43409

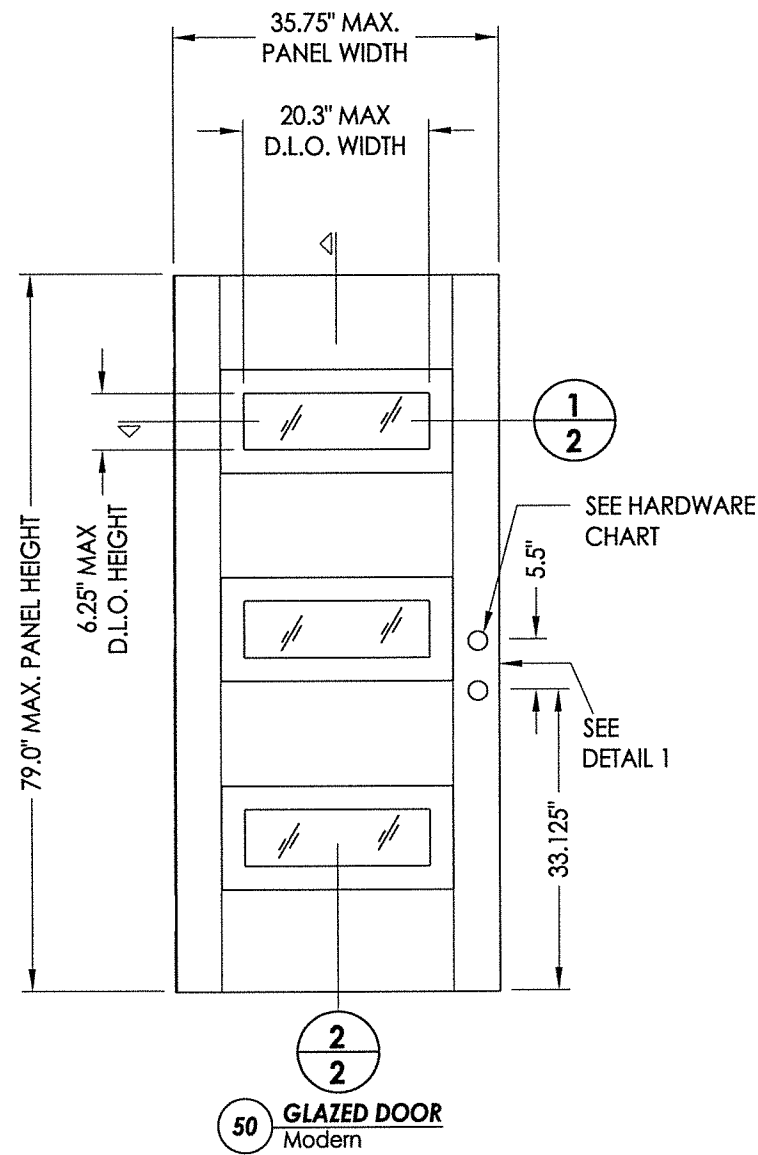
RW BUILDING CONSULTANTS, INC.
 P.O. Box 230, Valrico, FL 33595
 Phone No.: 813.659.9197
 FBPE Registry No. 9813

PRODUCT:	TRINITY GLASS INT'L
PART OR ASSEMBLY:	TYPICAL ELEVATION, DESIGN PRESSURES & GENERAL NOTES
DATE:	2/05/20
SCALE:	N.T.S.
DWG. BY:	RW
CHK. BY:	LFS
DRAWING NO.:	FL-25575.7
SHEET	1 OF 14

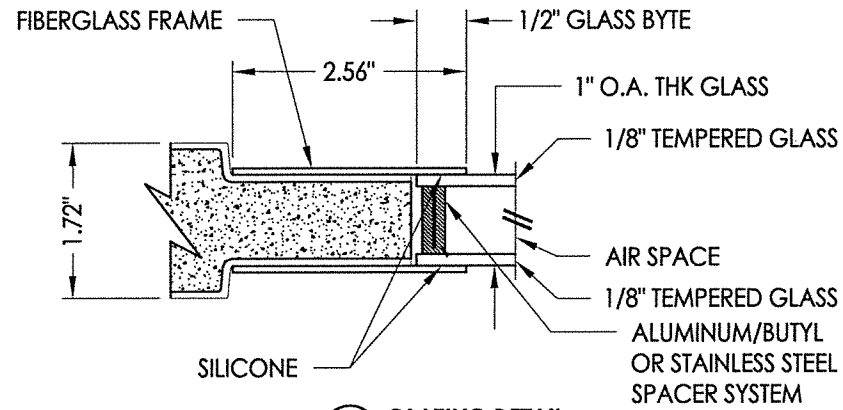
Z:\Clients\Trinity Glass PERMANENT\A - Florida Product Approvals\FL - 25575\C. Drawings\FL 25575 (2020)\FL-25575.7-8.dwg



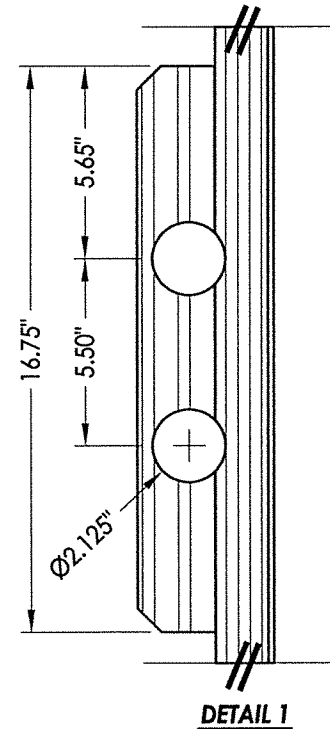
1
2 HORIZONTAL CROSS SECTION



50 **2**
2 GLAZED DOOR
Modern

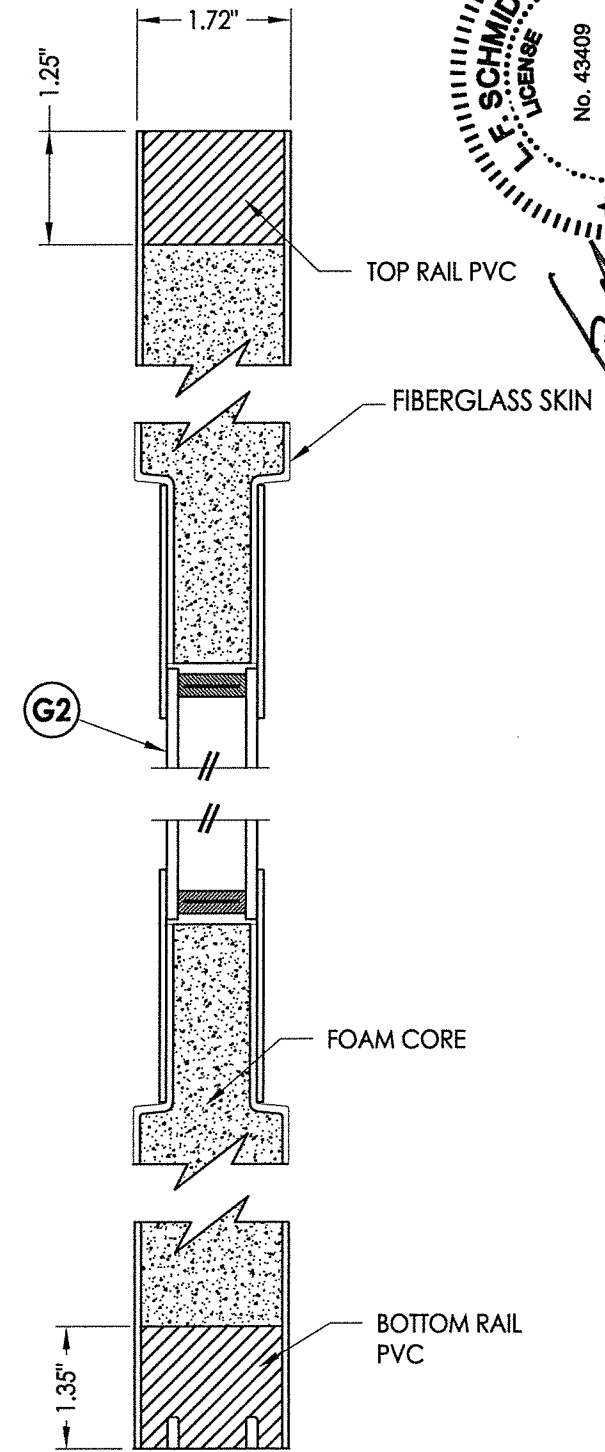


G2 GLAZING DETAIL



DETAIL 1

HARDWARE CHART	
MANUFACTURER	MODEL
KWIKSET	KNOB: SIGNATURE SERIES
	DEADBOLT: SIGNATURE SERIES (980)
SCHLAGE	KNOB: F SERIES
	DEADBOLT: B60 SERIES



2
2 VERTICAL CROSS SECTION

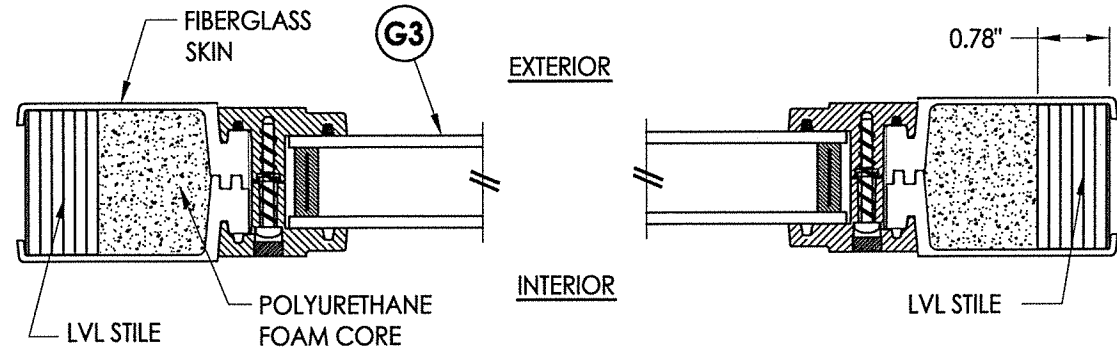
April 26, 2021
 Documents Prepared By:
 Lyndon F. Schmidt
 P.E. No. 43409

RW
 BUILDING CONSULTANTS, INC.
 P.O. Box 230, Valrico, FL 33595
 Phone No.: 813.659.9197
 FBPE Registry No. 9813

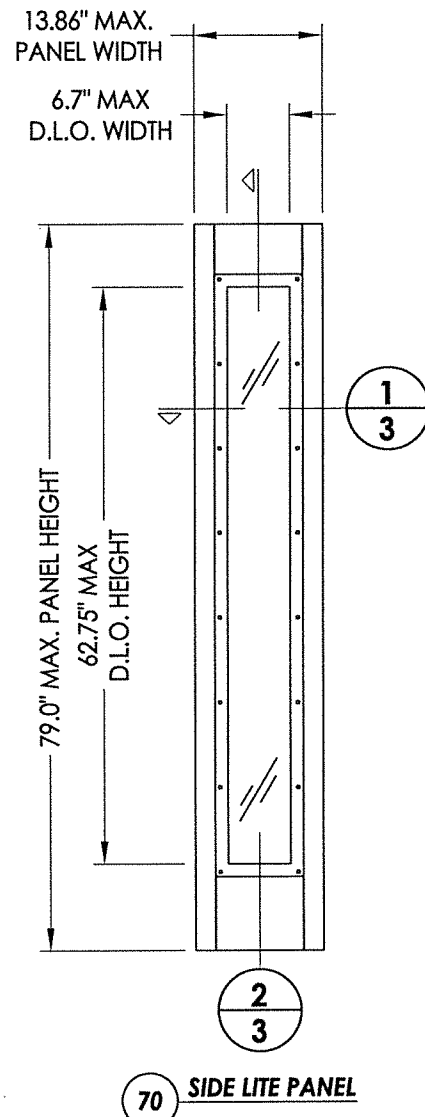
PRODUCT:	TRINITY GLASS INT'L	
PART OR ASSEMBLY:	DOOR PANEL DETAILS	
NO.	DATE	BY
1	8/11/20	DAC
	UPDATE TO 7th ED. (2020) FBC	BY
REVISIONS		
DATE:	2/05/20	
SCALE:	N.T.S.	
DWG. BY:	RW	
CHK. BY:	LFS	
DRAWING NO.:	FL-25575.7	
SHEET	2 OF 14	

© 2020 R.W. BUILDING CONSULTANTS INC.

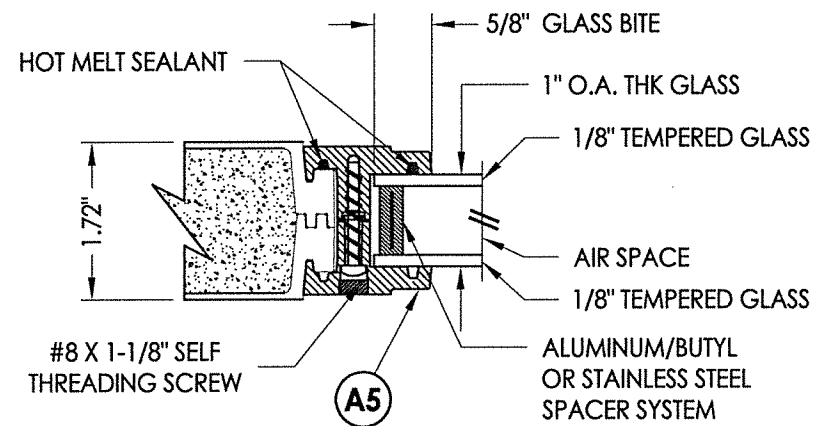
Z:\Clients\Trinity Glass PERMANENTVA - Florida Product Approvals\FL - 25575\C. Drawings\FL 25575 (2020)\FL-25575.7-8.dwg



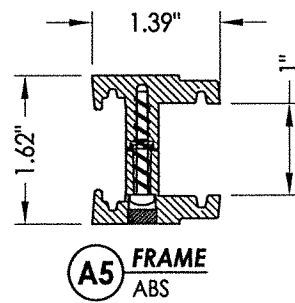
1
3 HORIZONTAL CROSS SECTION



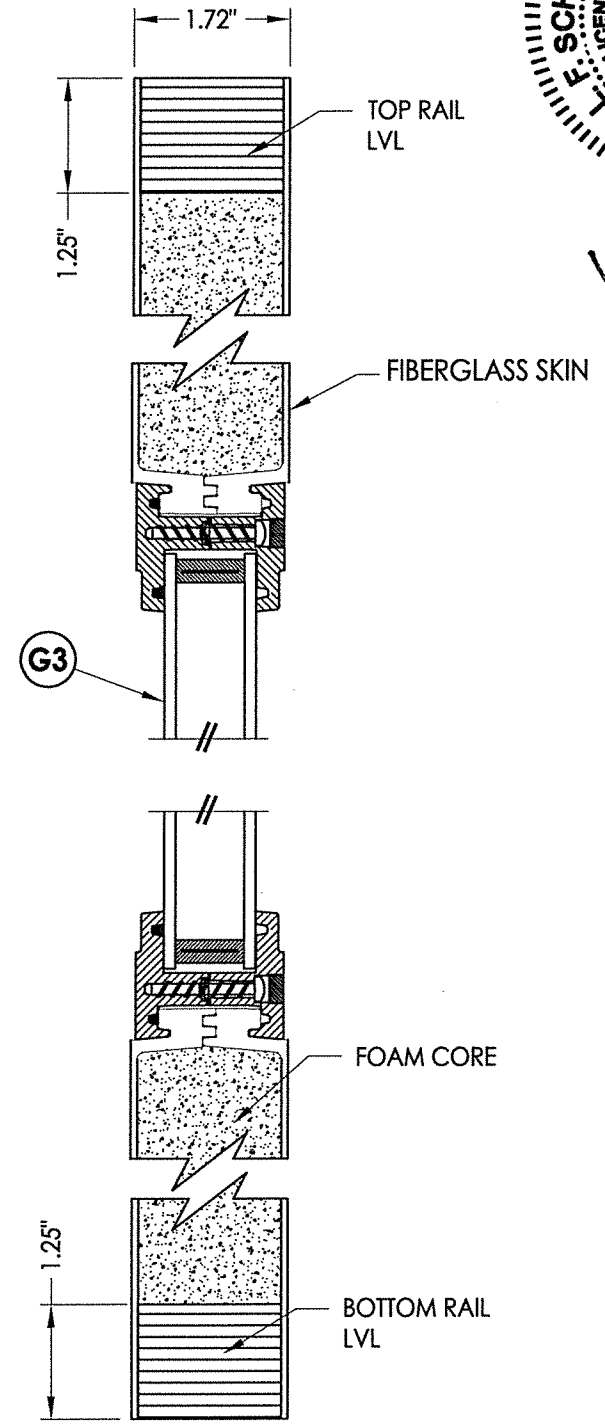
70 SIDE LITE PANEL



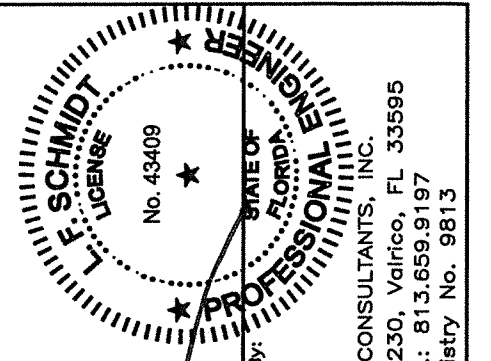
G3 GLAZING DETAIL



A5 FRAME
ABS



2
3 VERTICAL CROSS SECTION

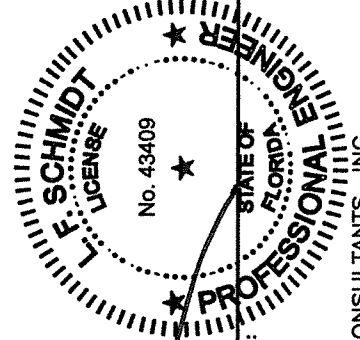
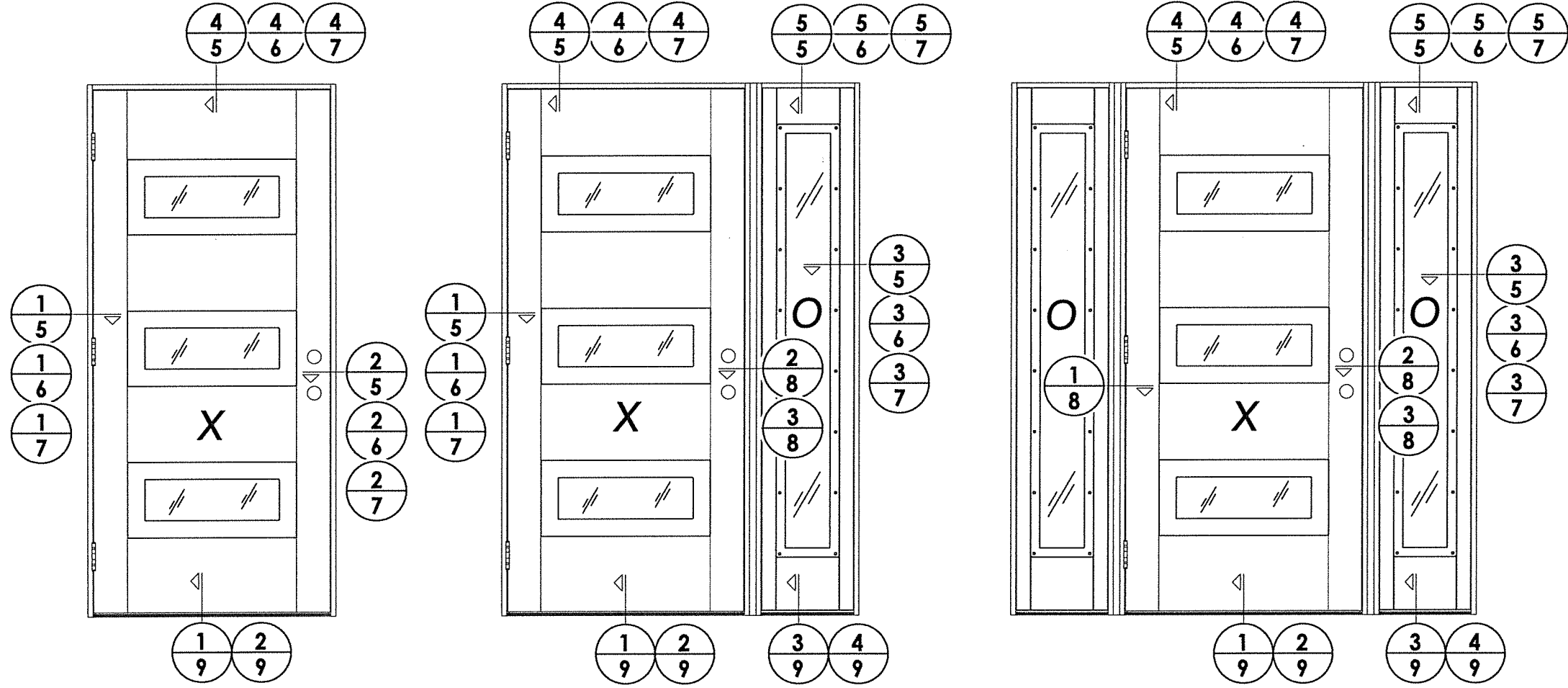


April 26, 2021
 Documents Prepared By:
 Lyndon F. Schmidt
 P.E. No. 43409
 R.W.
 BUILDING CONSULTANTS, INC.
 P.O. Box 230, Valrico, FL 33595
 Phone No.: 813.659.9197
 FBPE Registry No. 9813

PRODUCT:	TRINITY GLASS INT'L	
PART OR ASSEMBLY:	SIDELITE PANEL DETAILS	
NO.	DATE	BY
1	8/11/20	UPDATE TO 7th ED. (2020) FBC
REVISIONS		

DATE:	2/05/20
SCALE:	N.T.S.
DWG. BY:	RW
CHK. BY:	LFS
DRAWING NO.:	FL-25575.7
SHEET	3 OF 14

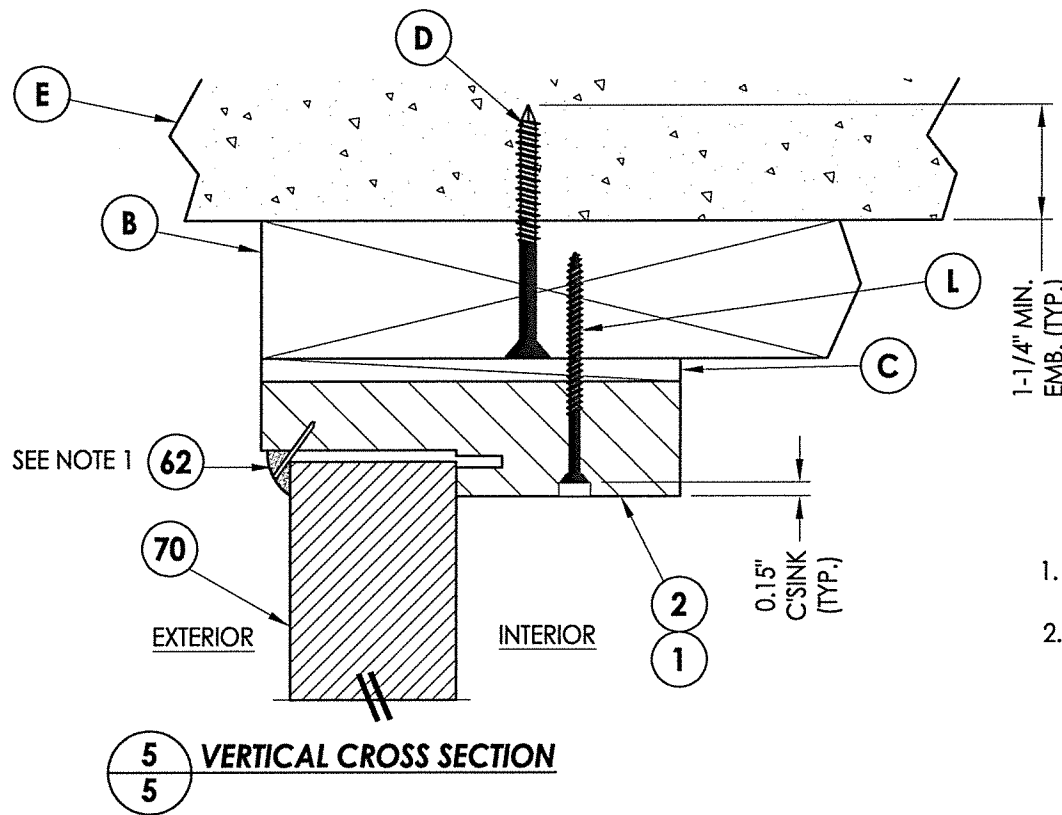
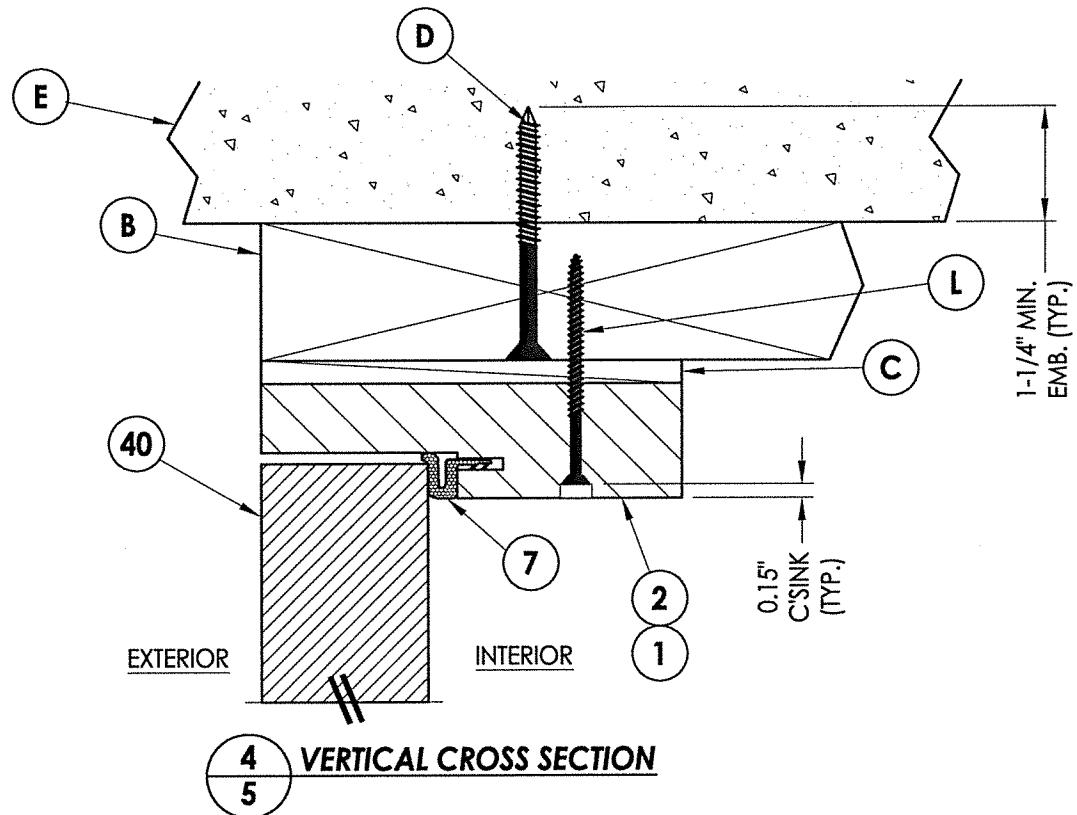
DOOR SKIN: 0.079" MIN. THK. FIBERGLASS
 CORE MATERIAL: POLYURETHANE FOAM



LFS
 April 26, 2021
 Documents Prepared By:
 Lyndon F. Schmidt
 P.E. No. 43409

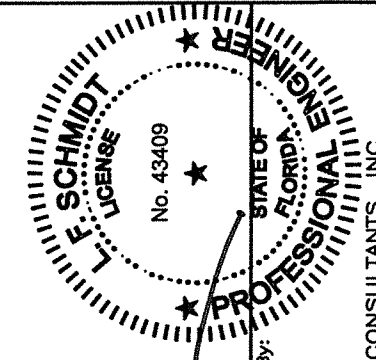
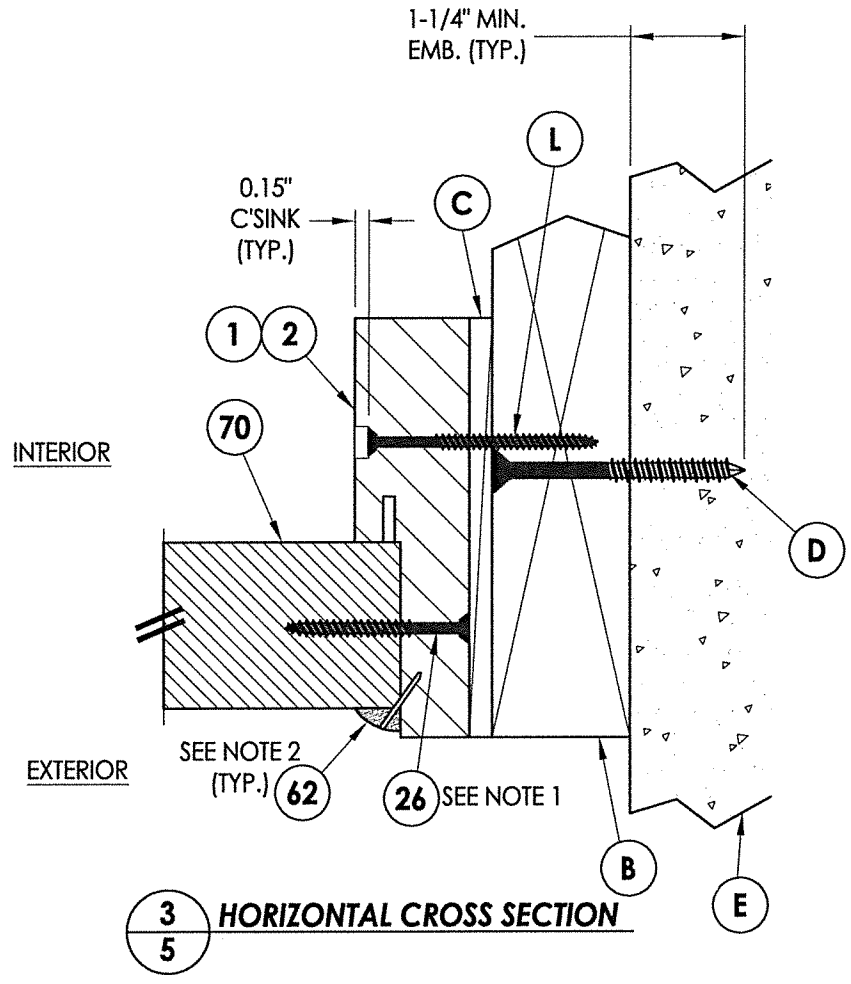
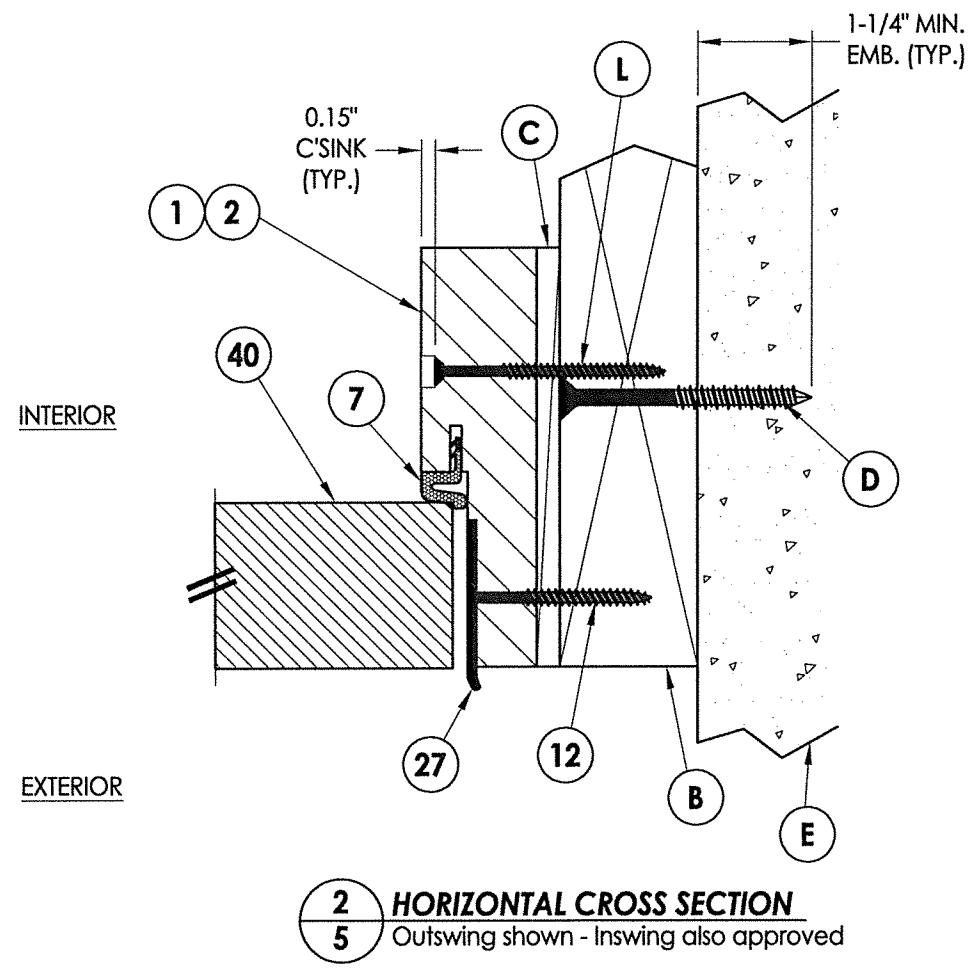
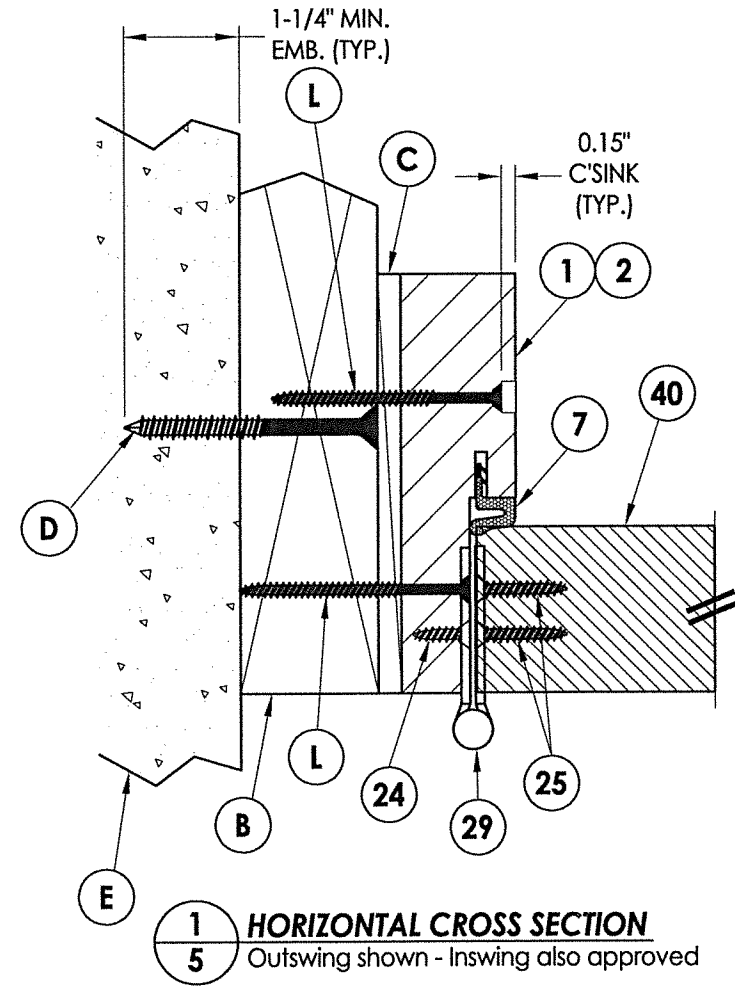
RW
 BUILDING CONSULTANTS, INC.
 P.O. Box 230, Valrico, FL 33595
 Phone No.: 813.659.9197
 FBPE Registry No. 9813

PRODUCT: TRINITY GLASS INT'L		PART OR ASSEMBLY: ELEVATIONS	
NO.	DATE	NO.	DATE
1	8/11/20	FBC	8/11/20
DATE: 2/05/20		DATE: 2/05/20	
SCALE: N.T.S.		SCALE: N.T.S.	
DWG. BY: RW		DWG. BY: RW	
CHK. BY: LFS		CHK. BY: LFS	
DRAWING NO.: FL-25575.7		DRAWING NO.: FL-25575.7	
SHEET 4 OF 14		SHEET 4 OF 14	



NOTE:

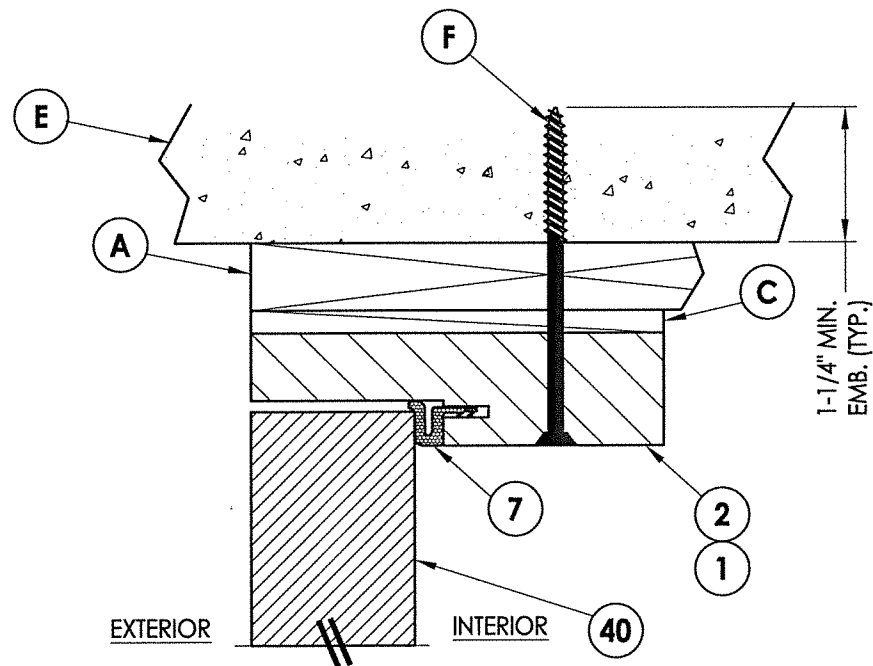
- Item #26 located 6" from each end and 3 more equally spaced (5 total).
- PVC Quarter round attached with 18 GA. brad nail 3" from each end then 8" on center thereafter.



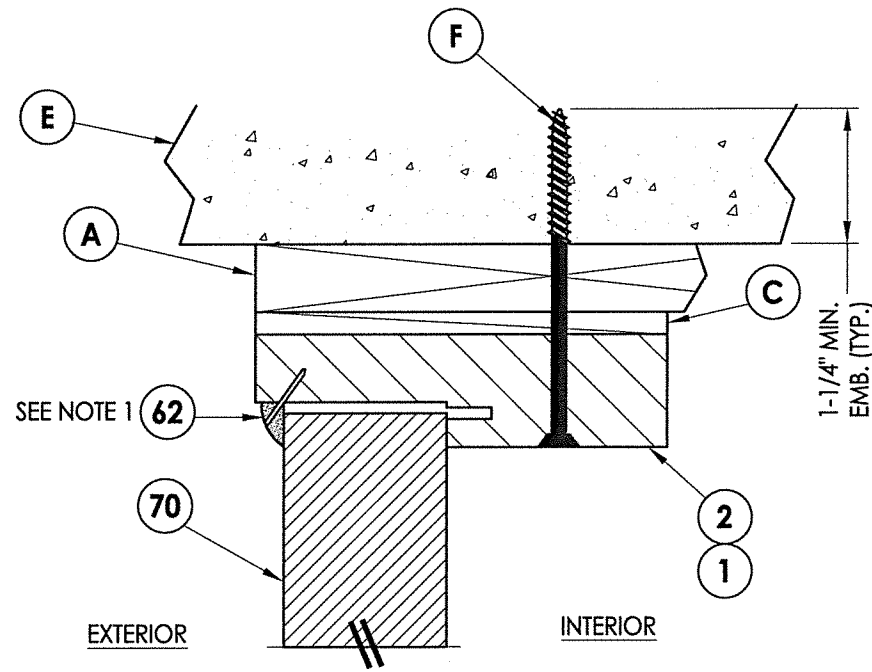
April 26, 2021
 Documents Prepared By:
 Lyndon F. Schmidt
 P.E. No. 43409

R.W.
 BUILDING CONSULTANTS, INC.
 P.O. Box 230, Valrico, FL 33595
 Phone No.: 813.659.9197
 FBPE Registry No. 9813

PRODUCT:		TRINITY GLASS INT'L	
PART OR ASSEMBLY:		HORIZONTAL AND VERTICAL CROSS SECTIONS (2X BUCK)	
NO.	DATE	BY	REVISIONS
1	8/11/20	FBC	UPDATE TO 7th ED. (2020)
		DAC	
DATE:		2/05/20	
SCALE:		N.T.S.	
DWG. BY:		RW	
CHK. BY:		LFS	
DRAWING NO.:		FL-25575.7	
SHEET		5 OF 14	



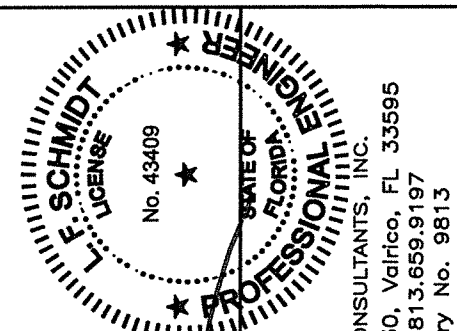
4 VERTICAL CROSS SECTION
6



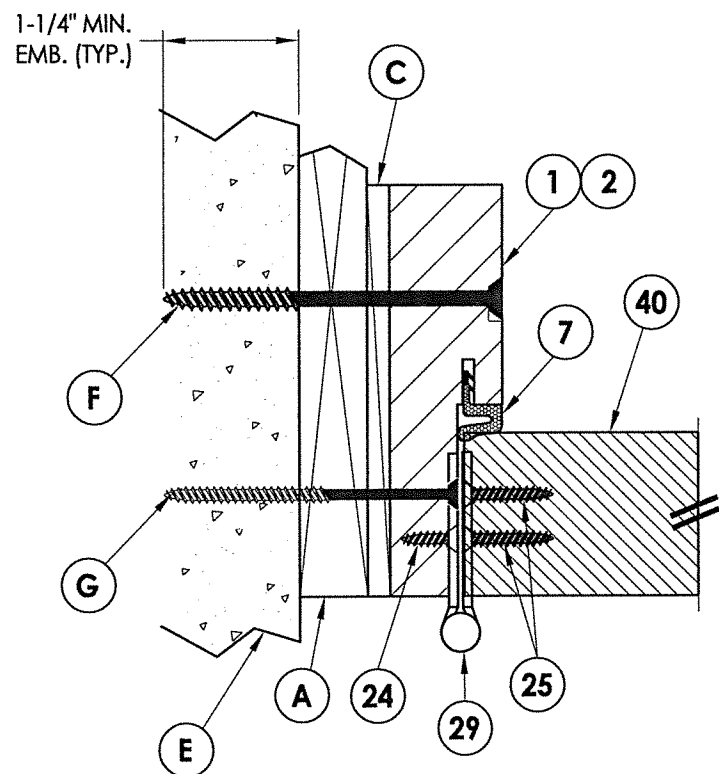
5 VERTICAL CROSS SECTION
6

NOTE:

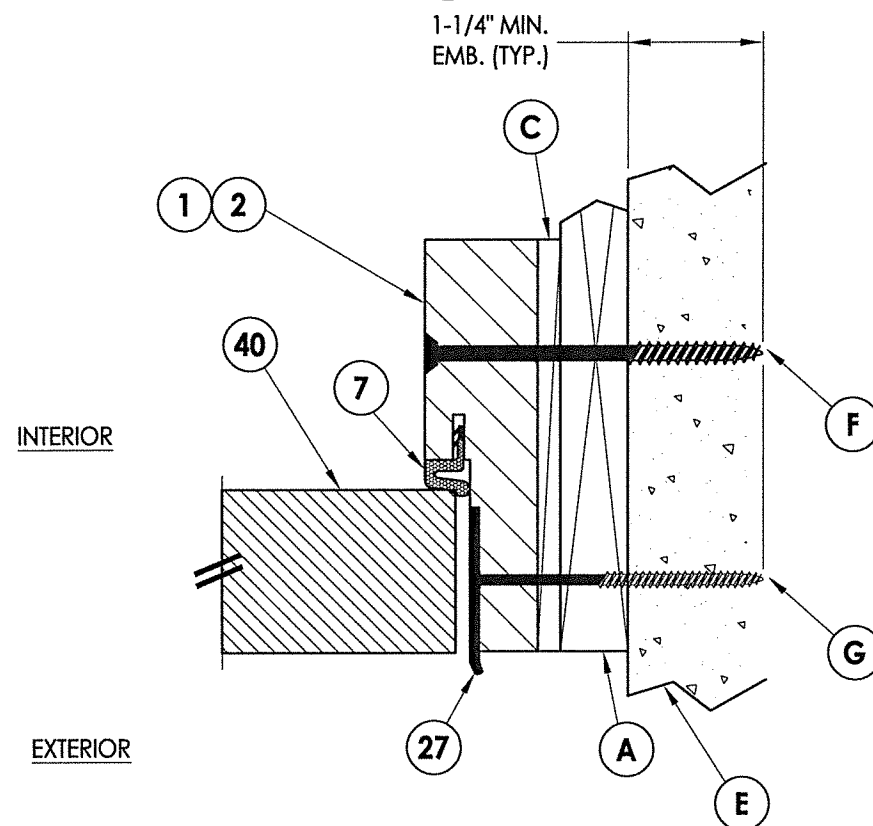
- Item #26 located 6" from each end and 3 more equally spaced (5 total).
- PVC Quarter round attached with 18 GA. brad nail 3" from each end then 8" on center thereafter.



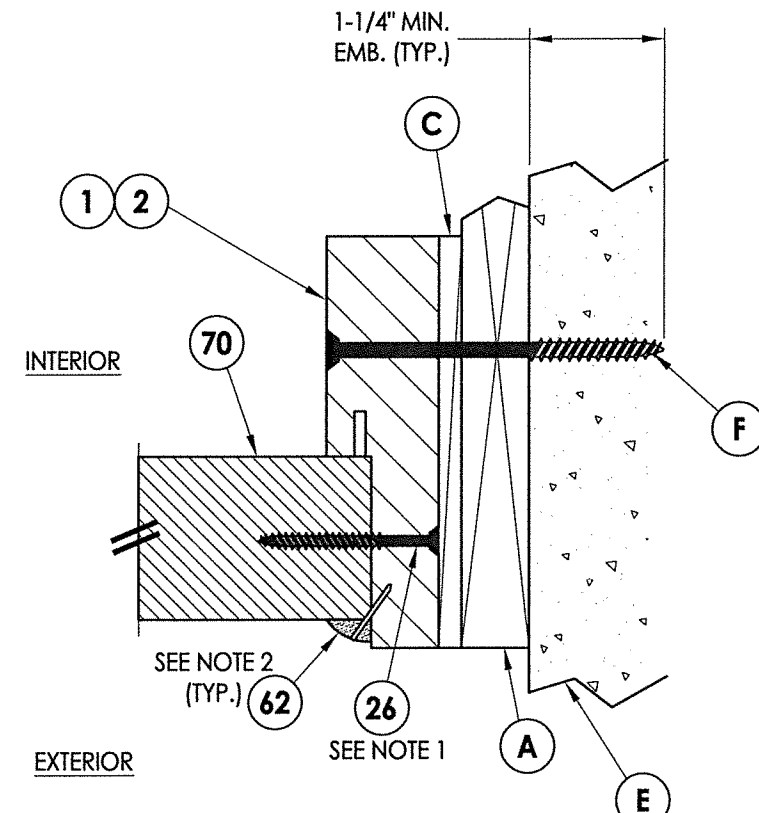
April 26, 2021
 Documents Prepared By:
 Lyndon F. Schmidt
 P.E. No. 43409
 R.W. BUILDING CONSULTANTS, INC.
 P.O. Box 230, Vairco, FL 33595
 Phone No.: 813.659.9197
 FBPE Registry No. 9813



1 HORIZONTAL CROSS SECTION
6 Outswing shown - Inswing also approved

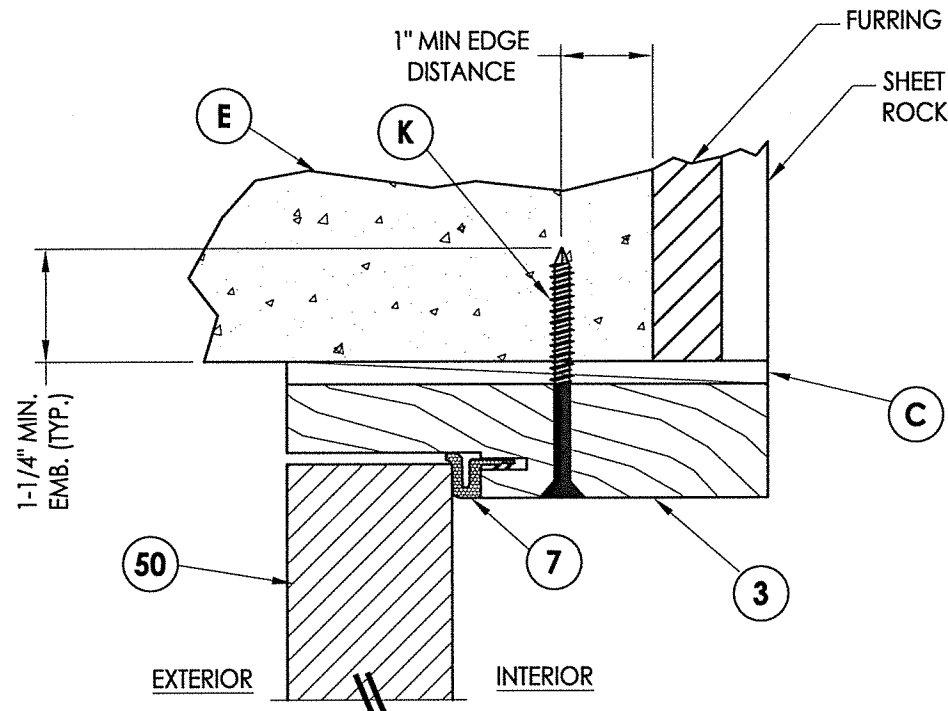


2 HORIZONTAL CROSS SECTION
6 Outswing shown - Inswing also approved



3 HORIZONTAL CROSS SECTION
6

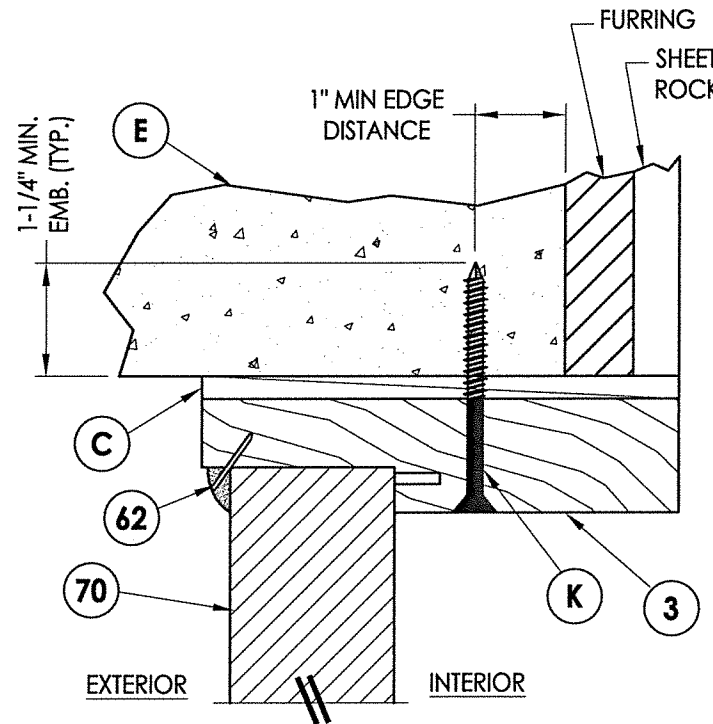
PRODUCT:	TRINITY GLASS INT'L
PART OR ASSEMBLY:	HORIZONTAL AND VERTICAL CROSS SECTIONS (1X BUCK)
DATE:	2/05/20
SCALE:	N.T.S.
DWG. BY:	RW
CHK. BY:	LFS
DRAWING NO.:	FL-25575.7
SHEET	6 OF 14
NO.	1
DATE	8/11/20
BY	FBC
DAC	
REVISIONS	



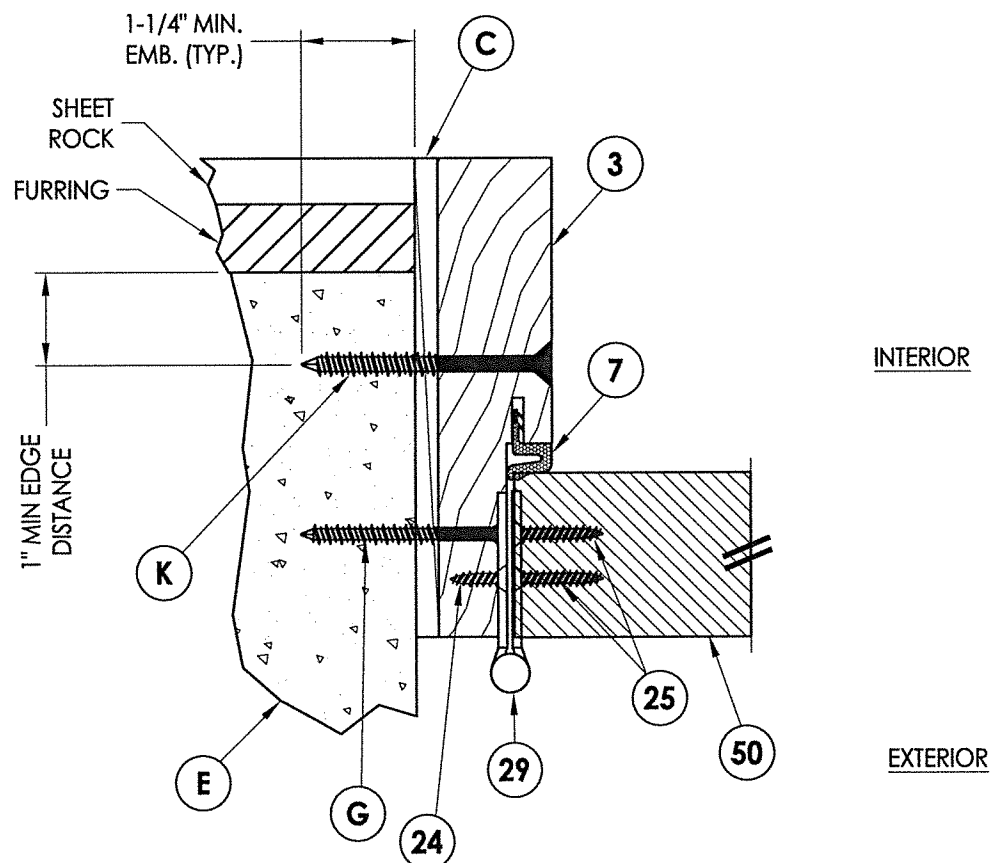
4 VERTICAL CROSS SECTION
7 Outswing only

NOTE:

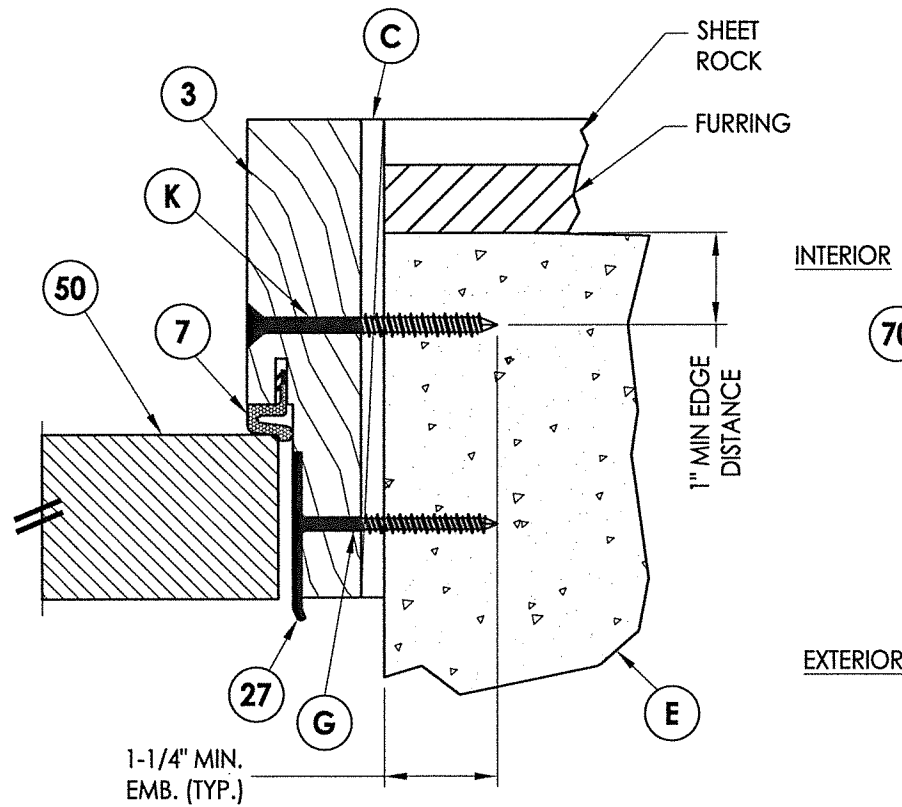
- Item #26 located 6" from each end and 3 more equally spaced (5 total).
- PVC Quarter round attached with 18 GA. brad nail 3" from each end then 8" on center thereafter.



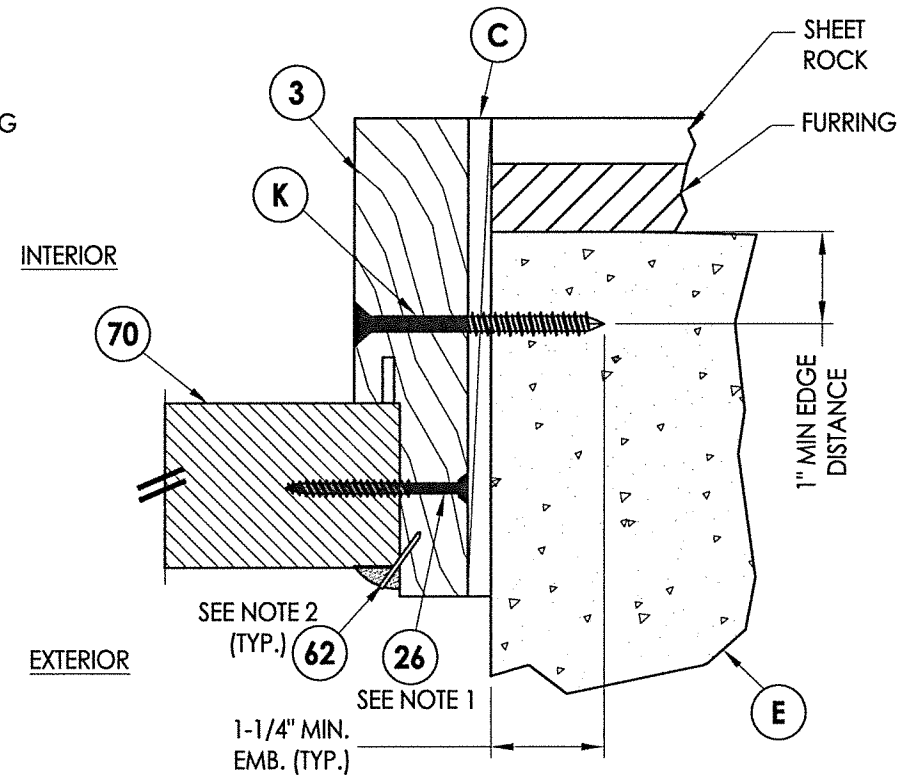
5 VERTICAL CROSS SECTION
7 Outswing only



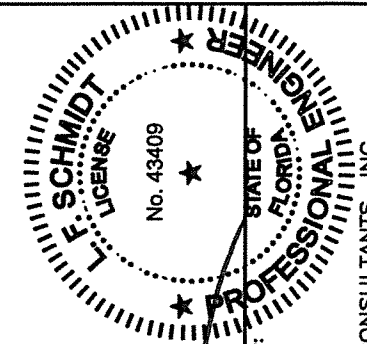
1 HORIZONTAL CROSS SECTION
7 Outswing only



2 HORIZONTAL CROSS SECTION
7 Outswing only



3 HORIZONTAL CROSS SECTION
7 Outswing only

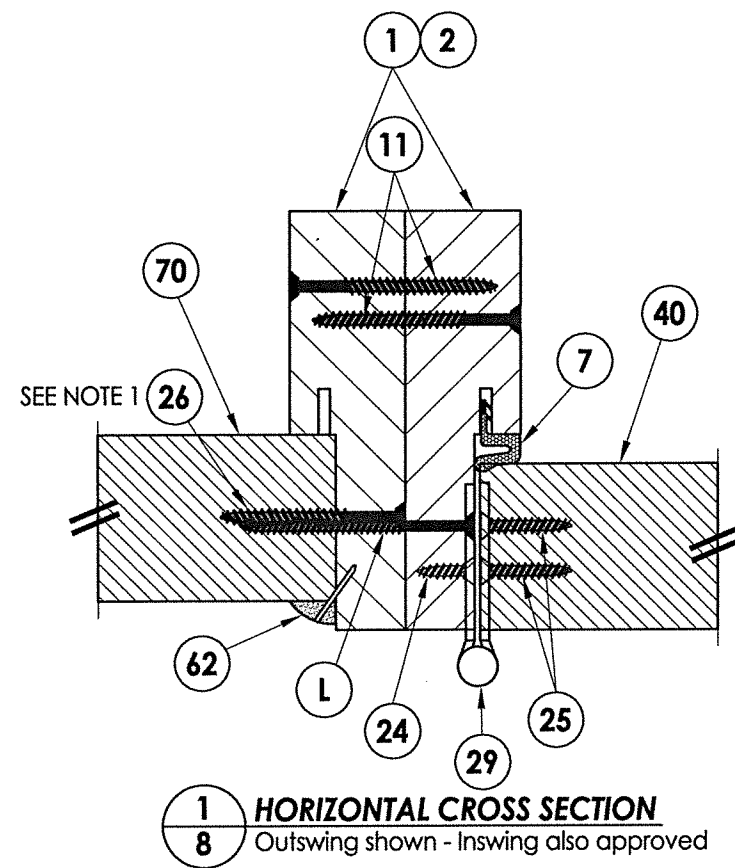


LFS

April 26, 2021
Documents Prepared By:
Lyndon F. Schmidt
P.E. No. 43409

RW
BUILDING CONSULTANTS, INC.
P.O. Box 230, Vairico, FL 33595
Phone No.: 813.659.9197
FBPE Registry No. 9813

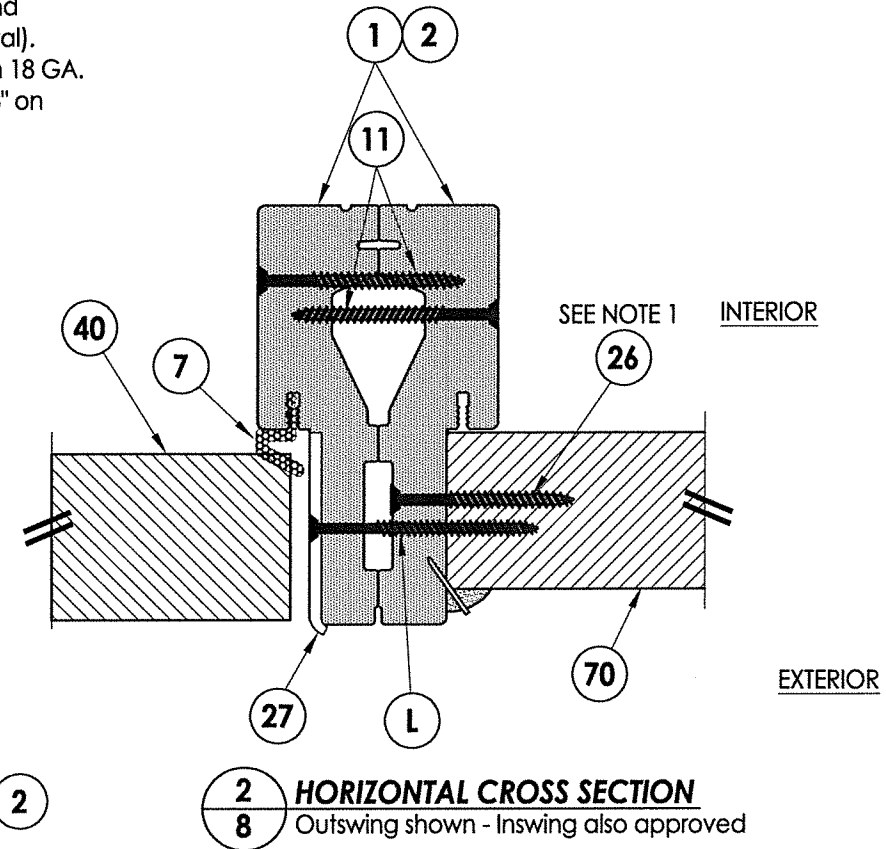
PRODUCT:	TRINITY GLASS INT'L	
PART OR ASSEMBLY:	HORIZONTAL AND VERTICAL CROSS SECTIONS (DIRECT TO MASONRY)	
DATE:	2/05/20	
SCALE:	N.T.S.	
DWG. BY:	RW	
CHK. BY:	LFS	
DRAWING NO.:	FL-25575.7	
SHEET	7 OF 14	
NO.	DATE	BY
1	8/11/20	UPDATE TO 7th ED. (2020) FBC
		DAC
		BY
REVISIONS		



- NOTE:**
- Item #26 located 6" from each end and 3 more equally spaced (5 total).
 - PVC Quarter round attached with 18 GA. brad nail 3" from each end then 8" on center thereafter.

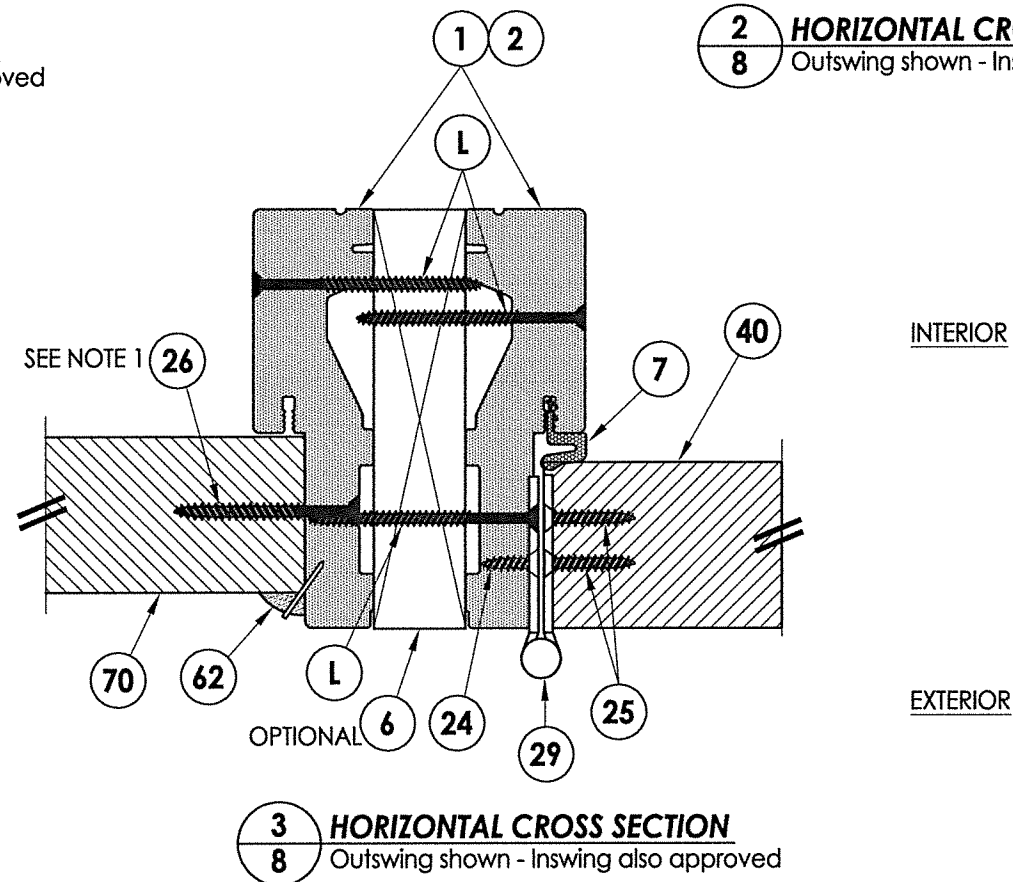
INTERIOR

EXTERIOR



SEE NOTE 1 INTERIOR

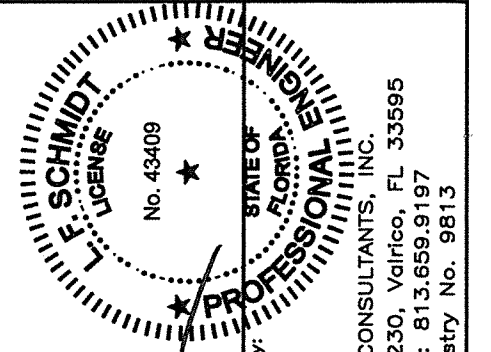
EXTERIOR



INTERIOR

EXTERIOR

3 HORIZONTAL CROSS SECTION
8 Outswing shown - Inswing also approved



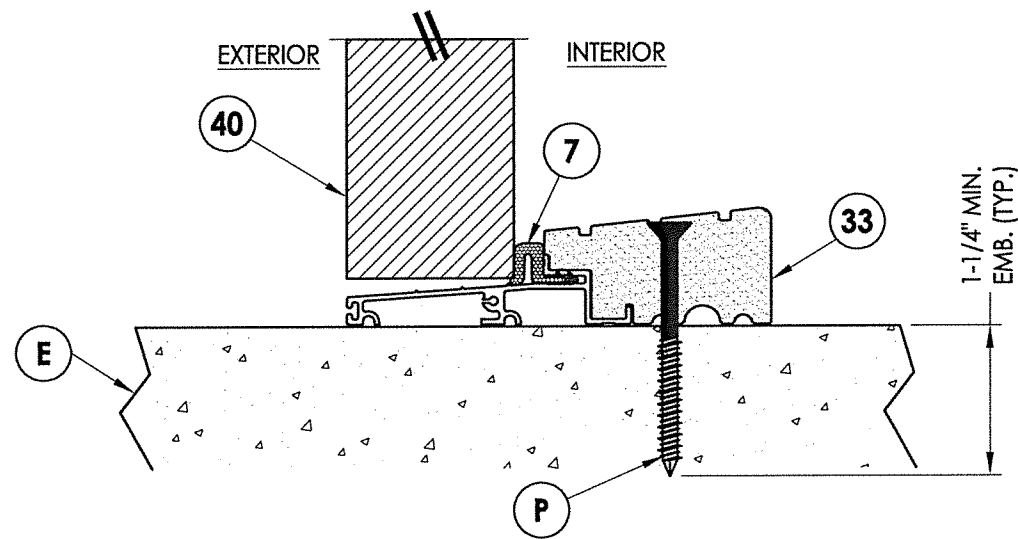
LFS
April 26, 2021

Documents Prepared By:
Lyndon F. Schmidt
P.E. No. 43409

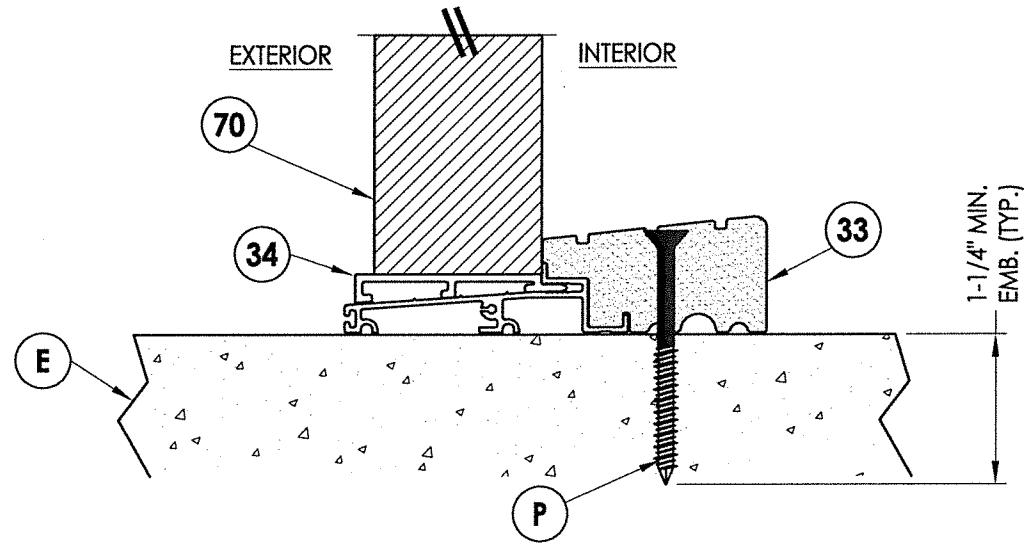
RW BUILDING CONSULTANTS, INC.
P.O. Box 230, Valrico, FL 33595
Phone No.: 813.659.9197
FBPE Registry No. 9813

PRODUCT: TRINITY GLASS INT'L	
PART OR ASSEMBLY: HORIZONTAL CROSS SECTIONS	
NO.	DATE
1	8/11/20
REVISIONS	
DATE: 2/05/20	
SCALE: N.T.S.	
DWG. BY: RW	
CHK. BY: LFS	
DRAWING NO.: FL-25575.7	
SHEET 8 OF 14	

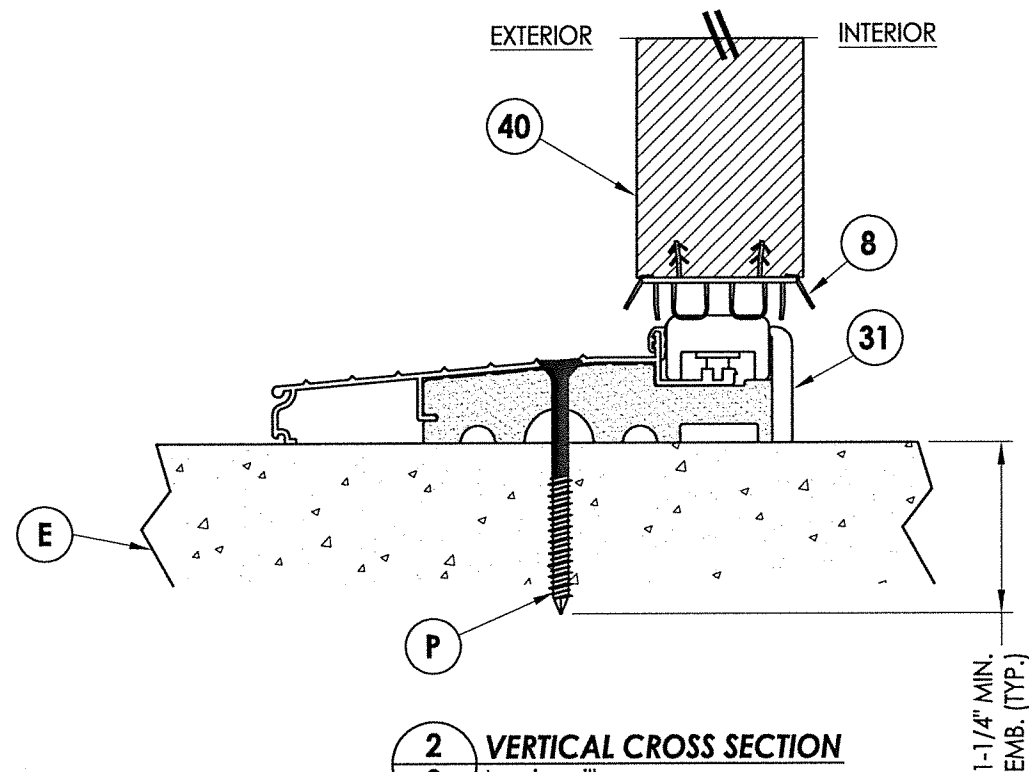
Z:\Clients\Trinity Glass PERMANENTVA - Florida Product Approvals\FL - 25575\C. Drawings\FL 25575 (2020)\FL-25575.7-8.dwg



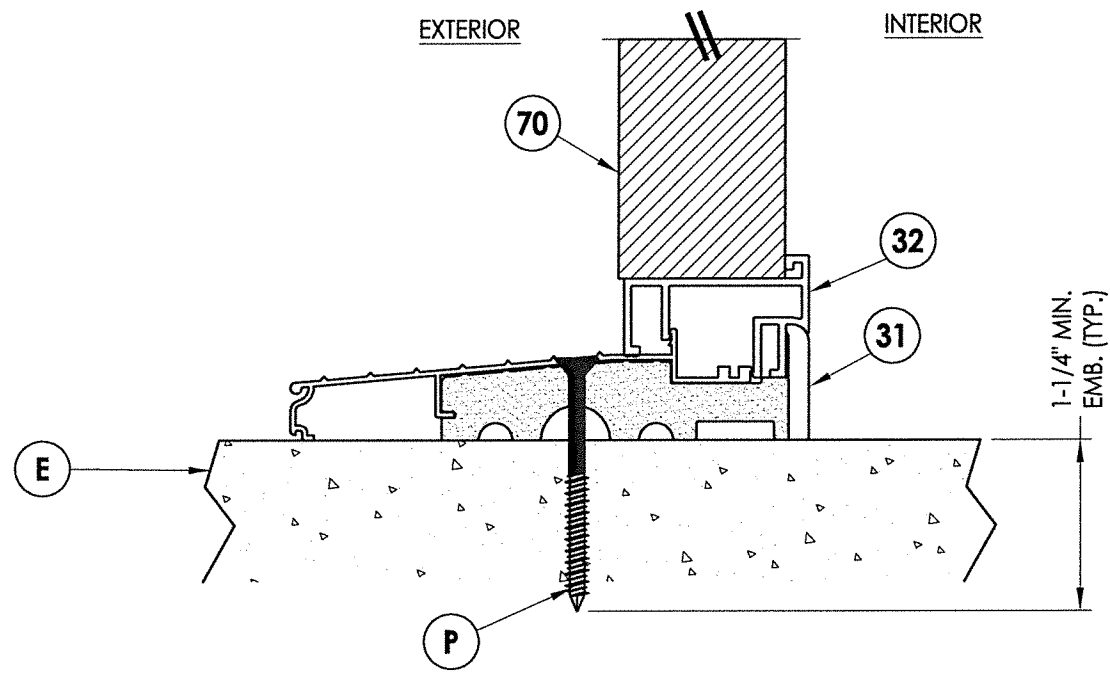
1 VERTICAL CROSS SECTION
9 Outswing sill - high dam



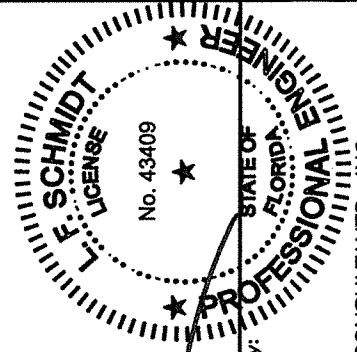
3 VERTICAL CROSS SECTION
9 Outswing sill - high dam



2 VERTICAL CROSS SECTION
9 Inswing sill



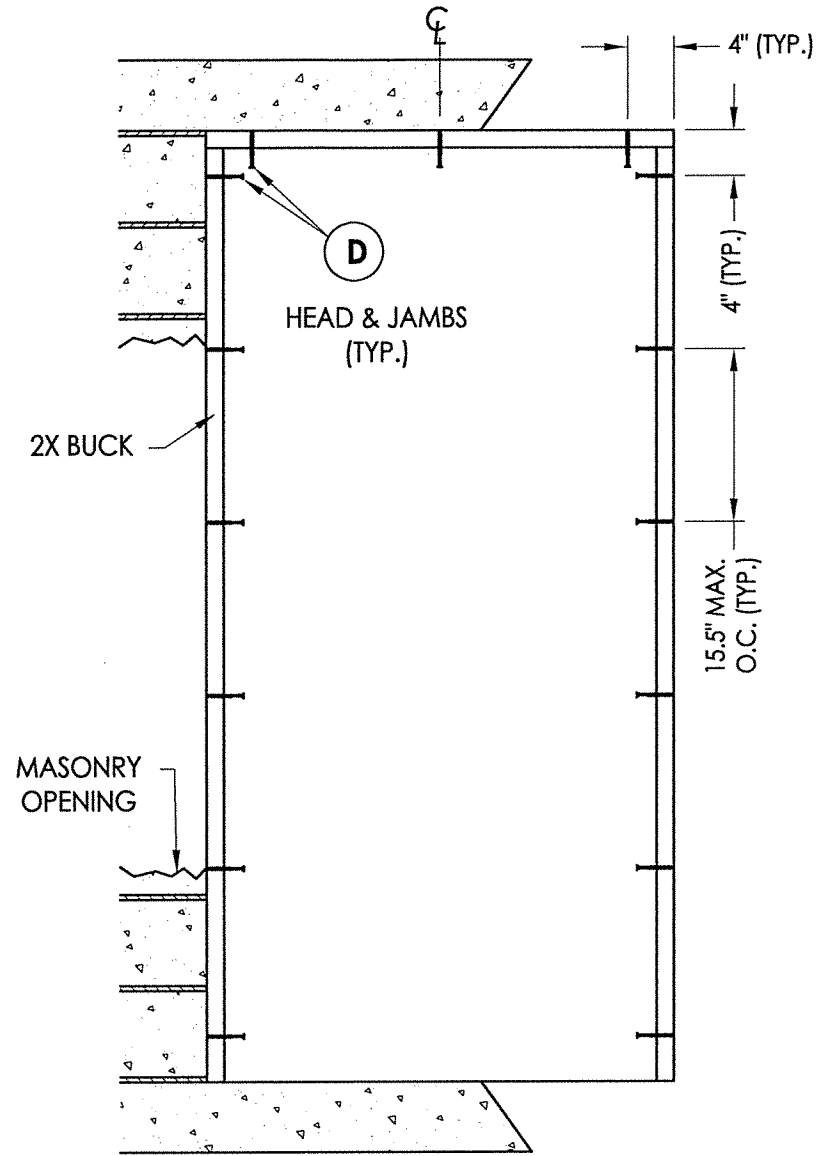
4 VERTICAL CROSS SECTION
9 Inswing sill



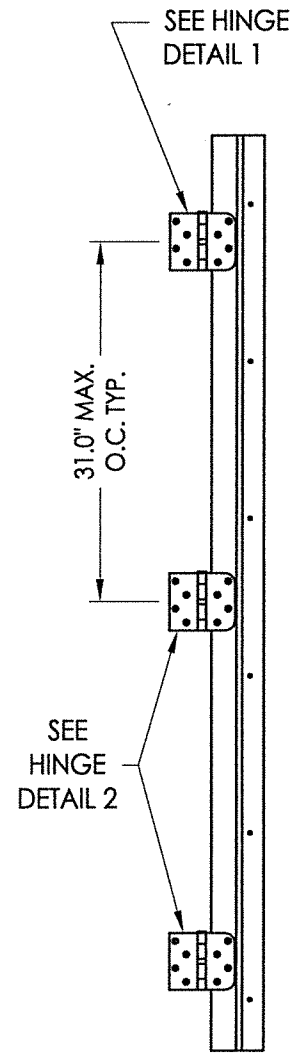
April 26, 2021
 Documents Prepared By:
 Lyndon F. Schmidt
 P.E. No. 43409

R.W. BUILDING CONSULTANTS, INC.
 P.O. Box 230, Vairico, FL 33595
 Phone No.: 813.659.9197
 FBPE Registry No. 9813

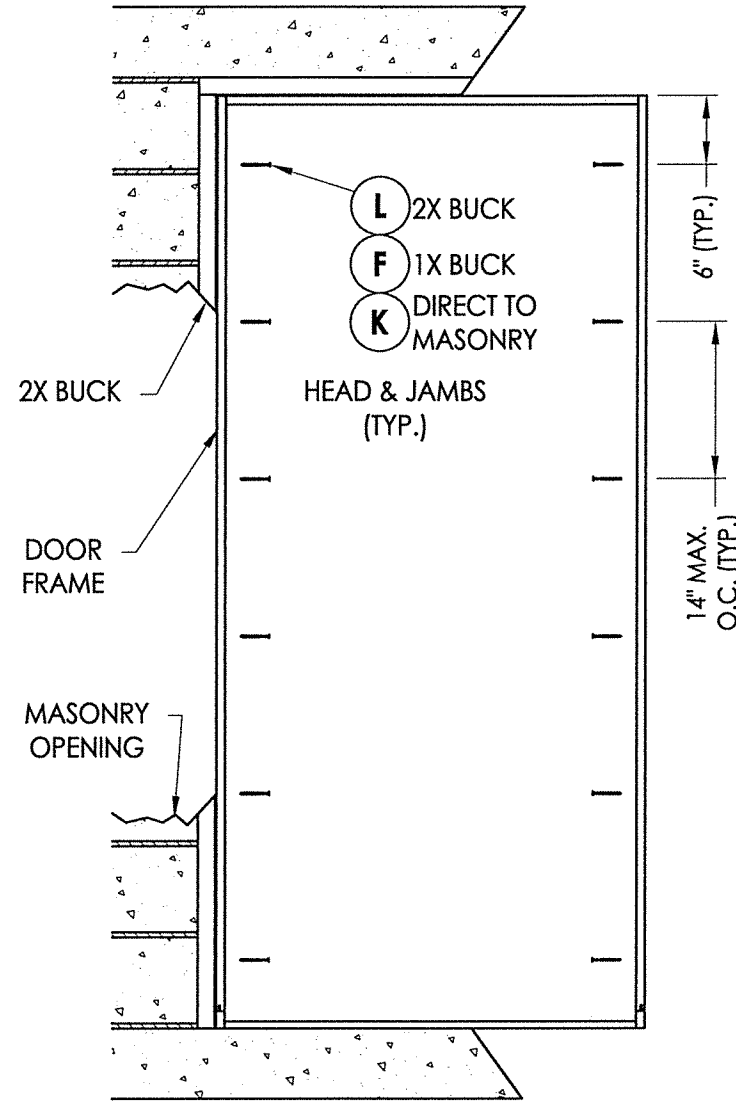
PRODUCT:	TRINITY GLASS INT'L															
PART OR ASSEMBLY:	VERTICAL CROSS SECTIONS															
DATE:	2/05/20															
SCALE:	N.T.S.															
DWG. BY:	RW															
CHK. BY:	LFS															
DRAWING NO.:	FL-25575.7															
SHEET	9 OF 14															
<table border="1"> <thead> <tr> <th>NO.</th> <th>DATE</th> <th>REVISIONS</th> </tr> </thead> <tbody> <tr> <td>1</td> <td>8/11/20</td> <td>UPDATE TO 7th ED. (2020) FBC</td> </tr> <tr> <td></td> <td></td> <td></td> </tr> <tr> <td></td> <td></td> <td></td> </tr> <tr> <td></td> <td></td> <td></td> </tr> </tbody> </table>		NO.	DATE	REVISIONS	1	8/11/20	UPDATE TO 7th ED. (2020) FBC									
NO.	DATE	REVISIONS														
1	8/11/20	UPDATE TO 7th ED. (2020) FBC														



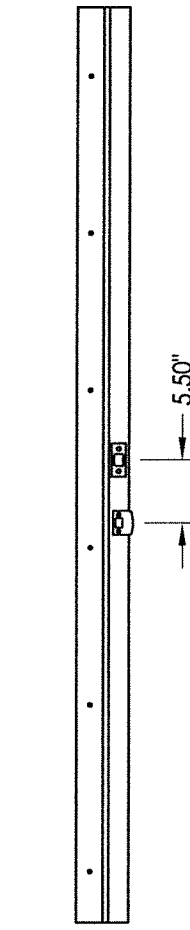
BUCK ANCHORING



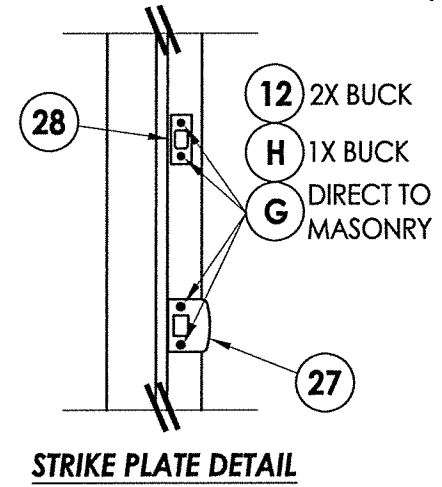
HINGE JAMB



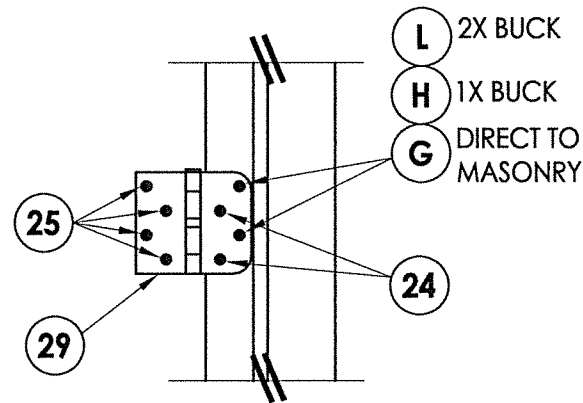
FRAME ANCHORING
Masonry construction



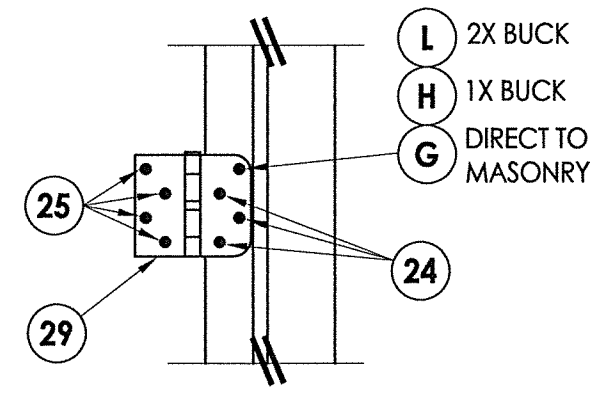
STRIKE JAMB



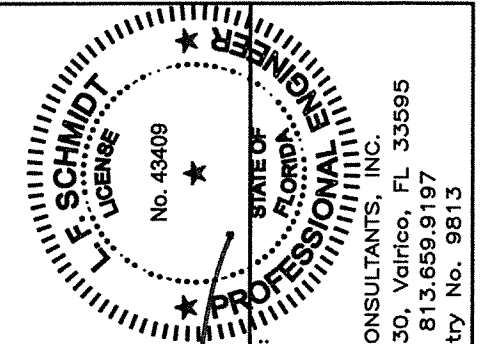
STRIKE PLATE DETAIL



HINGE DETAIL 1



HINGE DETAIL 2



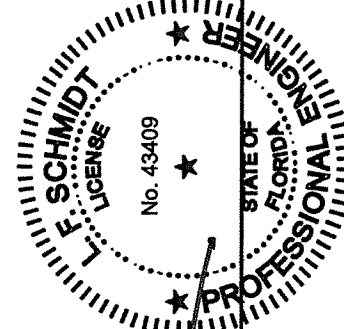
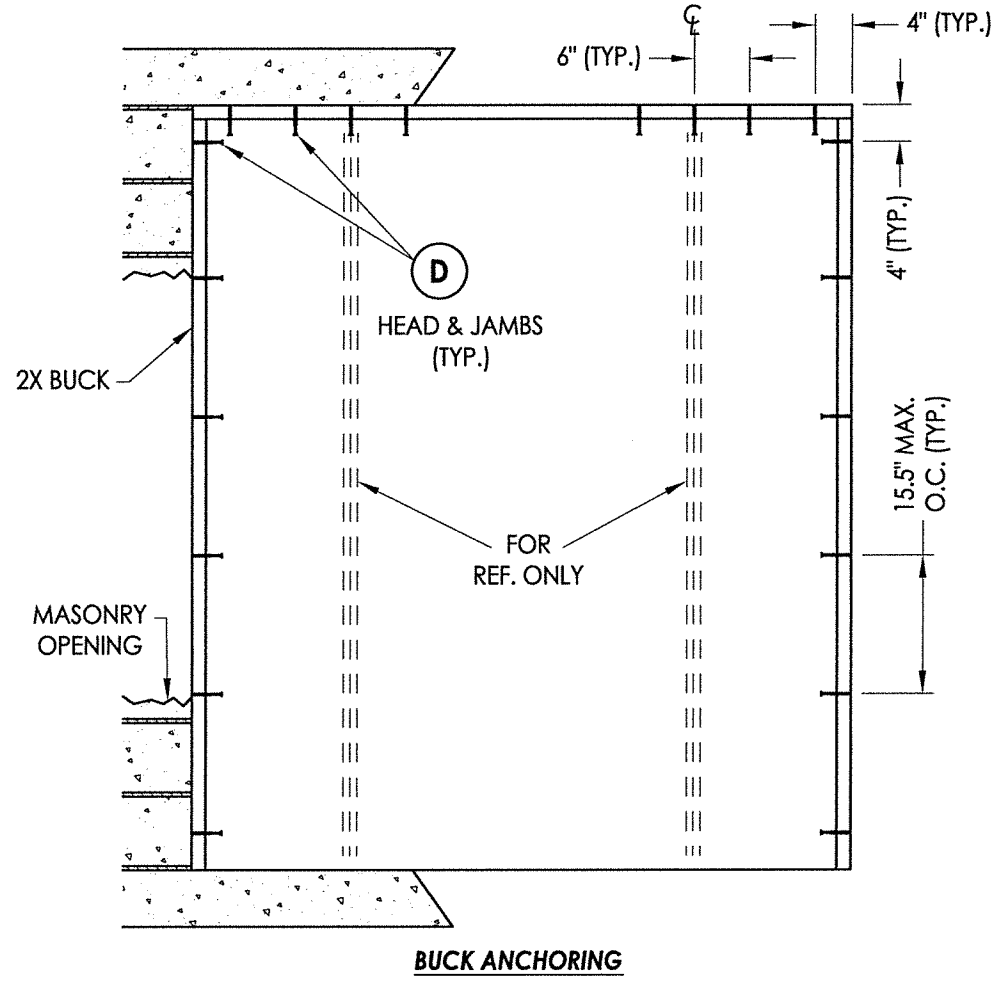
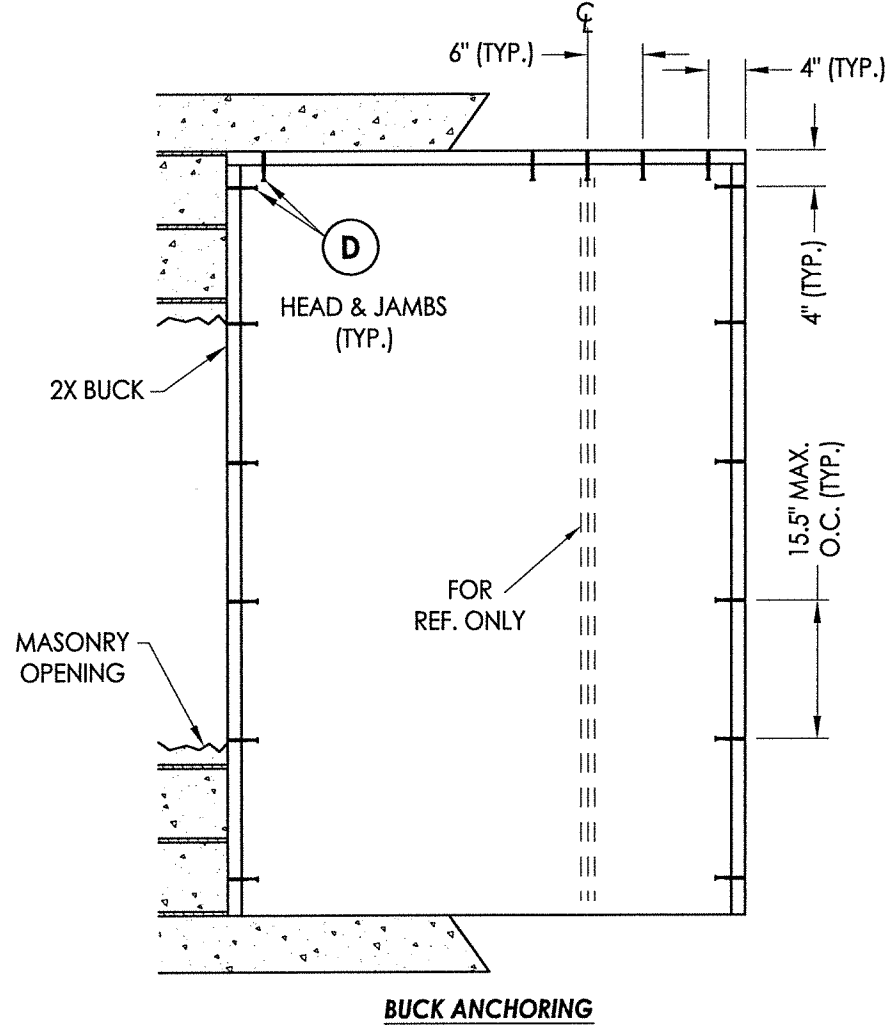
LFS

April 26, 2021

Documents Prepared By:
Lyndon F. Schmidt
P.E. No. 43409

RW
BUILDING CONSULTANTS, INC.
P.O. Box 230, Valrico, FL 33595
Phone No.: 813.659.9197
FBPE Registry No. 9813

PRODUCT:	TRINITY GLASS INT'L	
PART OR ASSEMBLY:	BUCK AND FRAME ANCHORING (X)	
DATE:	2/05/20	
SCALE:	N.T.S.	
DWG. BY:	RW	
CHK. BY:	LFS	
DRAWING NO.:	FL-25575.7	
SHEET	10 OF 14	
NO.	DATE	REVISIONS
1	8/11/20	UPDATE TO 7th ED. (2020) FBC
		DAC
		BY



LFS

April 26, 2021

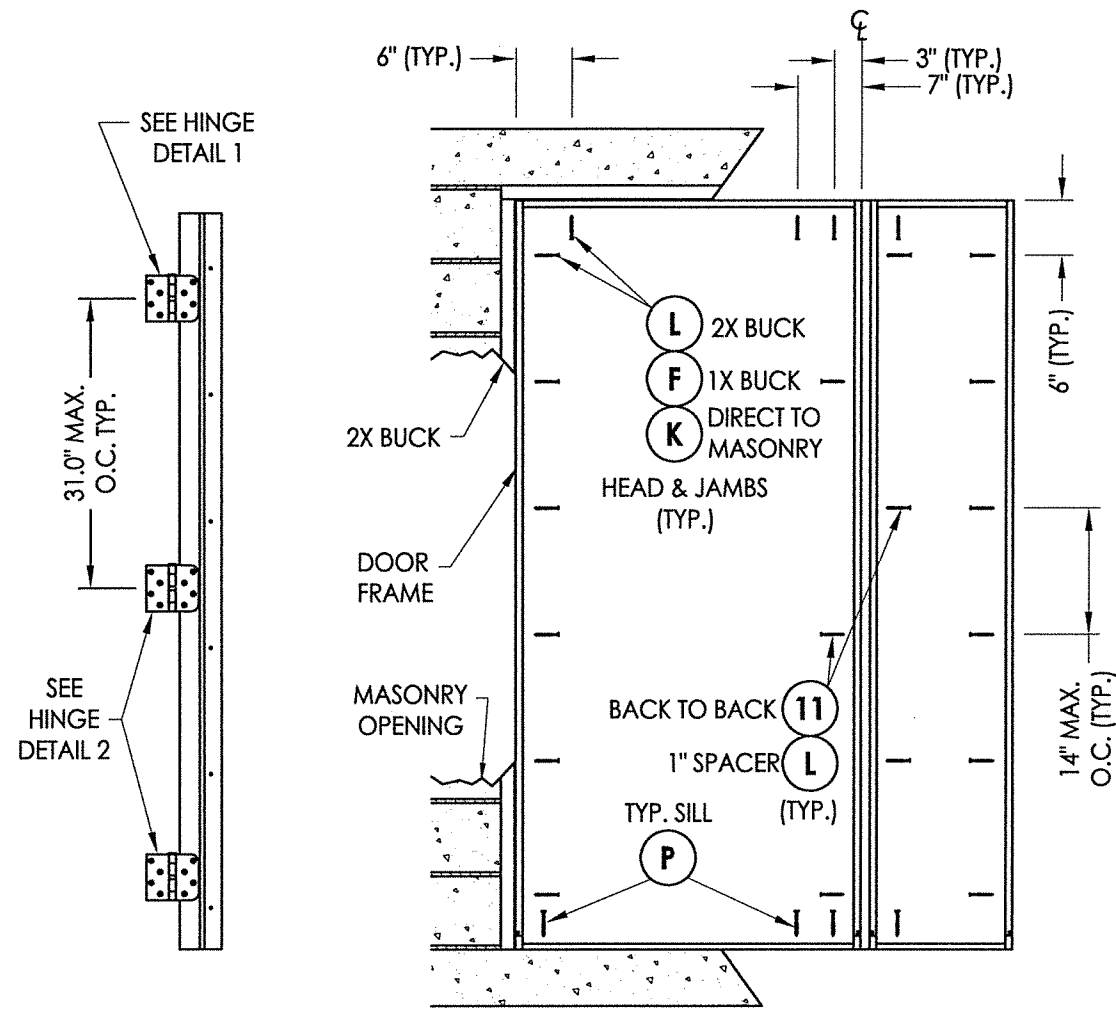
Documents Prepared By:
Lyndon F. Schmidt
P.E. No. 43409

RW
BUILDING CONSULTANTS, INC.
P.O. Box 230, Valrico, FL 33595
Phone No.: 813.659.9197
FBPE Registry No. 9813

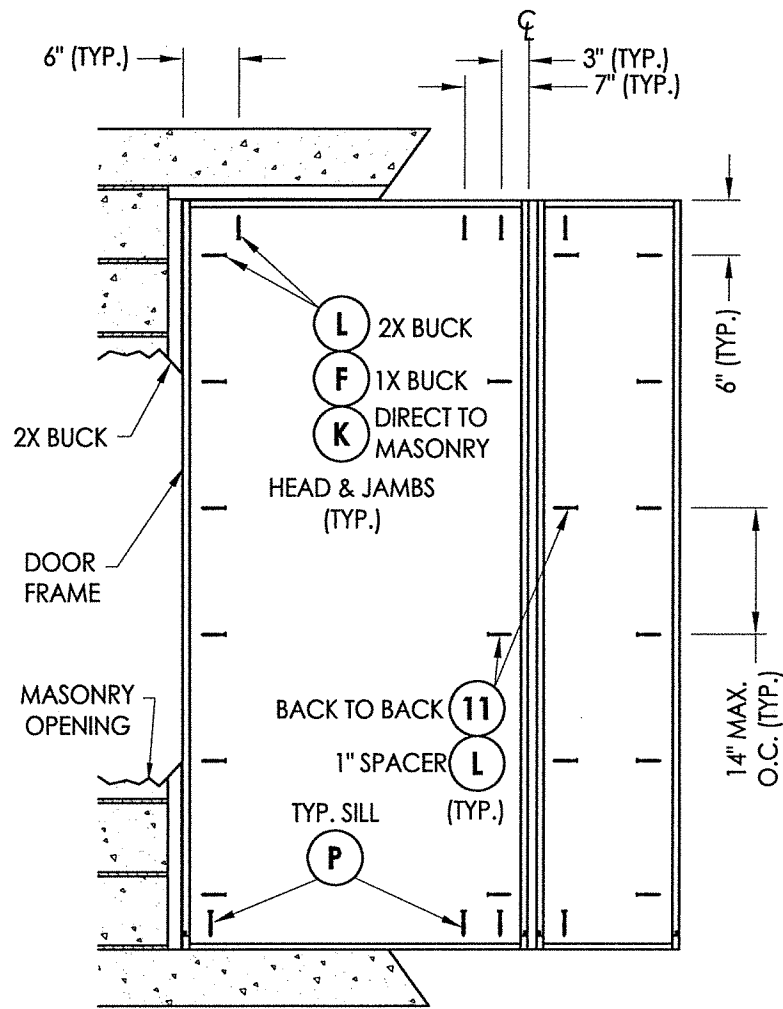
PRODUCT:	TRINITY GLASS INT'L
PART OR ASSEMBLY:	BUCK ANCHORING (OX/XO & OXO)

NO.	DATE	DESCRIPTION	BY
1	8/11/20	UPDATE TO 7th ED. (2020)	DAC
			BY

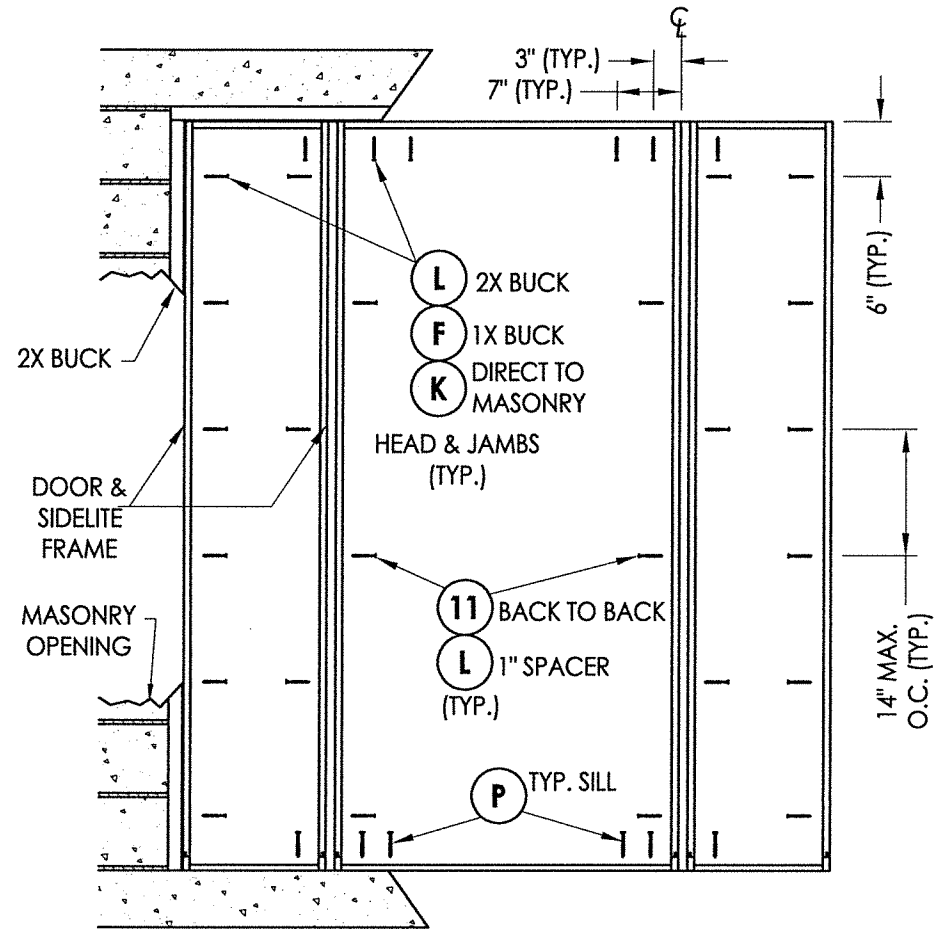
DATE:	2/05/20
SCALE:	N.T.S.
DWG. BY:	RW
CHK. BY:	LFS
DRAWING NO.:	FL-25575.7
SHEET	11 OF 14



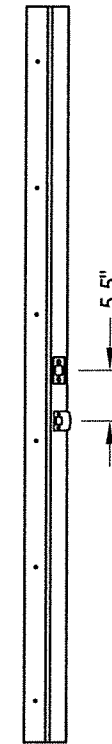
HINGE JAMB



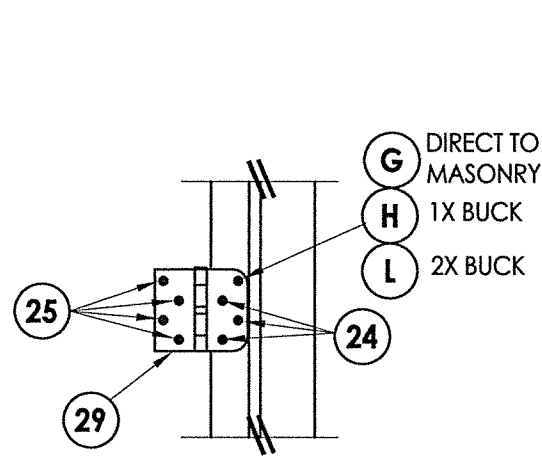
FRAME ANCHORING
Masonry construction



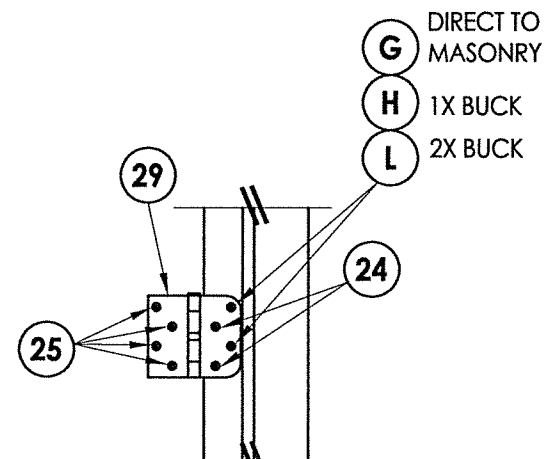
FRAME ANCHORING
Masonry construction



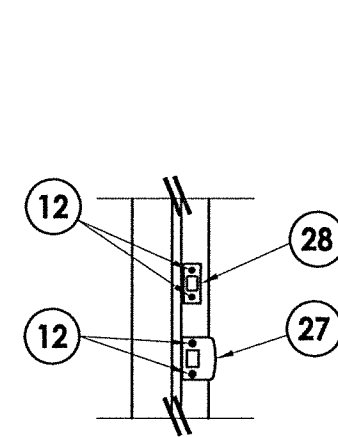
STRIKE JAMB



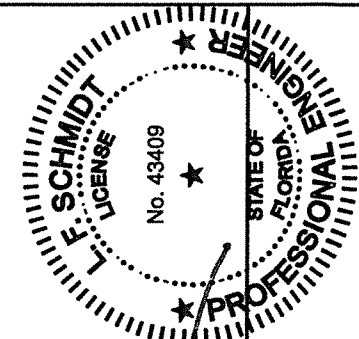
HINGE DETAIL 2



HINGE DETAIL 1

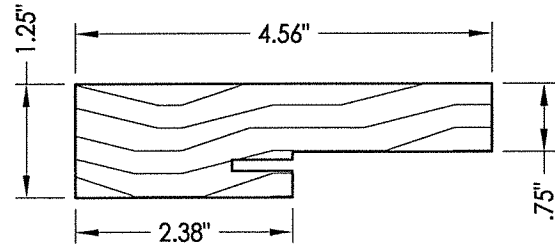


STRIKE PLATE DETAIL

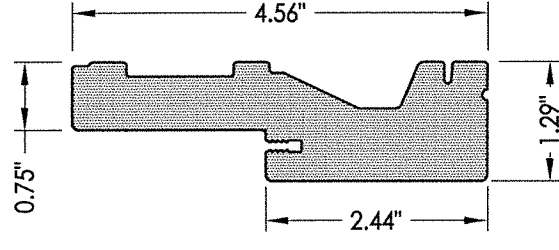


April 26, 2021
 Documents Prepared By:
 Lyndon F. Schmidt
 P.E. No. 43409
 R.W. BUILDING CONSULTANTS, INC.
 P.O. Box 230, Valrico, FL 33595
 Phone No.: 813.659.9197
 FBPE Registry No. 9813

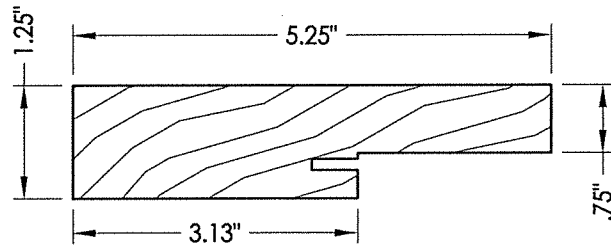
PRODUCT:	TRINITY GLASS INT'L	
PART OR ASSEMBLY:	FRAME ANCHORING (OX/XO & OXO)	
NO.	DATE	BY
1	8/11/20	UPDATE TO 7th ED. (2020) FBC
REVISIONS		
DATE:	2/05/20	
SCALE:	N.T.S.	
DWG. BY:	RW	
CHK. BY:	LFS	
DRAWING NO.:	FL-25575.7	
SHEET	12 OF 14	



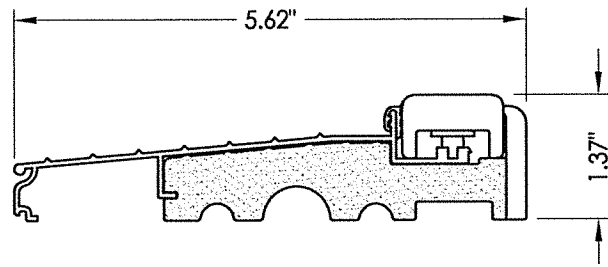
1 HEAD AND JAMBS
Wood



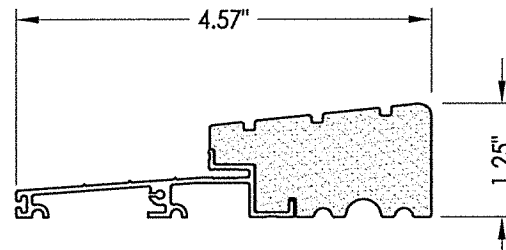
2 HEAD AND JAMBS
PVC



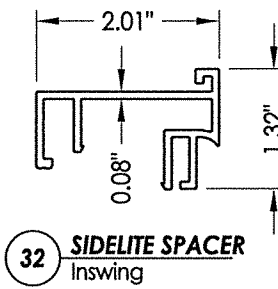
3 HEAD AND JAMBS
Wood



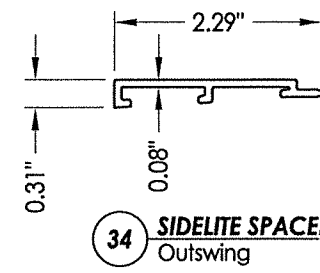
31 INSWING THRESHOLD



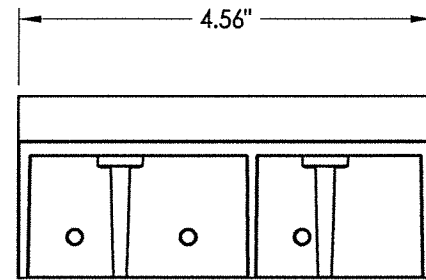
32 OUTSWING THRESHOLD
High-dam



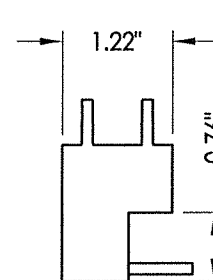
33 SIDELITE SPACER
Inswing



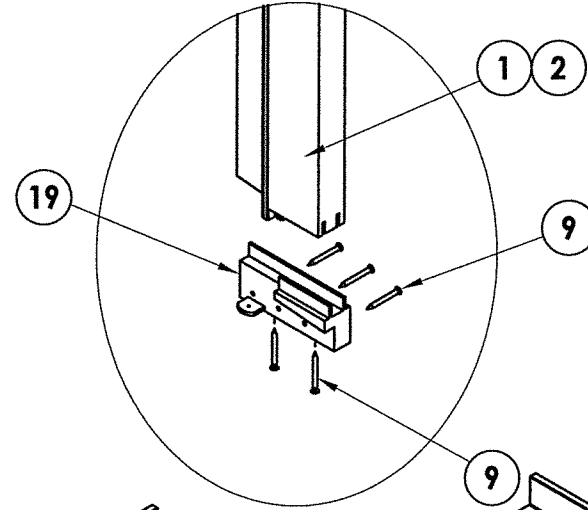
34 SIDELITE SPACER
Outswing



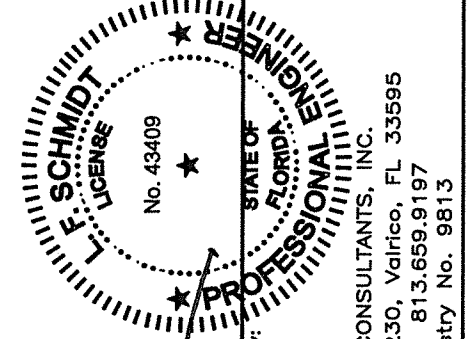
SILLKEY, LEFT
SCALE: NONE



SILLKEY, RIGHT
SCALE: NONE



19 SILLKEY DETAILS
Optional



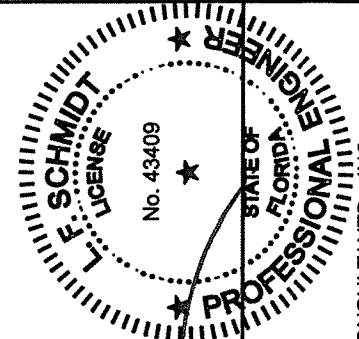
LFS

April 26, 2021
Documents Prepared By:
Lyndon F. Schmidt
P.E. No. 43409

RW
BUILDING CONSULTANTS, INC.
P.O. Box 230, Valrico, FL 33595
Phone No.: 813.659.9197
FBPE Registry No. 9813

PRODUCT:	TRINITY GLASS INT'L	
PART OR ASSEMBLY:	COMPONENTS	
DATE:	2/05/20	
SCALE:	N.T.S.	
DWG. BY:	RW	
CHK. BY:	LFS	
DRAWING NO.:	FL-25575.7	
SHEET	13 OF 14	
NO.	DATE	REVISIONS
1	8/11/20	UPDATE TO 7th ED. (2020) FBC
		DAC
		BY

BILL OF MATERIALS		
ITEM #	DESCRIPTION	MATERIAL
A	1X BUCK SG >= 0.42	WOOD
B	2X BUCK SG >= 0.42	WOOD
C	1/4" MAX. SHIM SPACE	-
D	1/4" X 2-3/4" PFH DeWALT OR ITW CONCRETE SCREW	STEEL
E	MASONRY - 3,000 PSI MIN. CONCRETE CONFORMING TO ACI 301 OR HOLLOW BLOCK CONFORMING TO ASTM C90	CONCRETE
F	1/4" X 3-3/4" PFH ITW CONCRETE SCREW	STEEL
G	3/16" X 3-1/4" PFH ITW CONCRETE SCREW	STEEL
H	3/16" X 2-1/4" PFH ITW CONCRETE SCREW	STEEL
K	1/4" X 2-3/4" PFH DeWALT CONCRETE SCREW	STEEL
L	#10 X 2-1/2" PFH WS (1.15" MIN. EMBEDMENT)	STEEL
P	1/4" X 2-3/4" PFH DeWALT OR ITW CONCRETE SCREW	STEEL
1	HEAD & JAMB (FINGER-JOINT PINE - SG >= 0.42)	WOOD
2	HEAD & JAMB	PVC
3	HEAD & JAMB (5.25") (FINGER-JOINT PINE - SG >= 0.42)	WOOD
6	1" SPACER (FINGER-JOINT PINE - SG >= 0.42)	WOOD
7	WEATHERSTRIP QEBD650 Q-LON	FOAM
8	DOOR BOTTOM SWEEP	PVC
9	#6 X 1-1/4 PFH DRYWALL SCREW	STEEL
11	#9 X 2-1/4" PFH WOOD SCREW	STEEL
12	#8 X 2" PFH WOOD SCREW	STEEL
19	SILLKEY	ABS
24	#9 X 5/8" PFH WS	STEEL
25	#9 X 1" PFH WS	STEEL
26	#9 X 2" PFH WS	STEEL
27	STRIKE PLATE	STEEL
28	DEADBOLT STRIKE PLATE	STEEL
29	4" X 4" HINGE	STEEL
31	INSWING THRESHOLD ALUMINUM W/ COMPOSITE SUBSTRATE	ALUM./ COMP.
32	SIDELITE SPACER - INSWING	PVC
33	OUTSWING HIGH-DAM THRESHOLD ALUMINUM W/ COMPOSITE SUBSTRATE	ALUM./ COMP.
34	SIDELITE SPACER - OUTSWING	PVC
50	DOOR PANEL - (Modern)	-
62	QUARTER ROUND	PVC
70	SIDELITE	-



April 26, 2021
 Documents Prepared By:
 Lyndon F. Schmidt
 P.E. No. 43409

BUILDING CONSULTANTS, INC.
 P.O. Box 230, Valrico, FL 33595
 Phone No.: 813.659.9197
 FBPE Registry No. 9813

PRODUCT:	TRINITY GLASS INT'L	
PART OR ASSEMBLY:	BILL OF MATERIALS	
NO.	DATE	BY
1	8/11/20	DAC
		FBC
		BY
REVISIONS		
DATE: 2/05/20		
SCALE: N.T.S.		
DWG. BY: RW		
CHK. BY: LFS		
DRAWING NO.: FL-25575.7		
SHEET 14 OF 14		

CONCRETE ANCHOR NOTES:

- Concrete anchor locations at the corners may be adjusted to maintain the min. edge distance to mortar joints.
- Concrete anchor locations noted as "MAX. ON CENTER" must be adjusted to maintain the min. edge distance to mortar joints, additional concrete anchors may be required to ensure the "MAX. ON CENTER" dimension are not exceeded.
- Concrete anchor table:

ANCHOR TYPE	ANCHOR SIZE	MIN. EMBEDMENT	MIN. CLEARANCE TO MASONRY EDGE	MIN. CLEARANCE TO ADJACENT ANCHOR
ITW BUILDEX TAPCON®	3/16" 1/4"	1-1/4" 1-1/4"	AS SHOWN 2"	1-1/2" 4"
DeWALT ULTRACON®	1/4"	1-1/4"	1"	4"

WOOD SCREW INSTALLATION NOTES:

- Maintain a minimum 5/8" edge distance, 1" end distance, & 1" o.c. spacing of wood screws to prevent the splitting of wood.